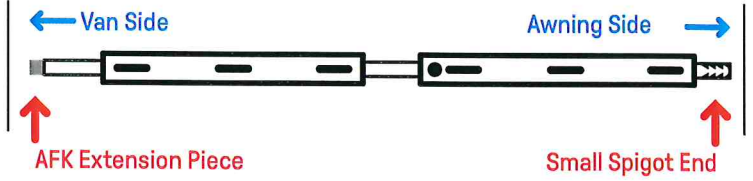
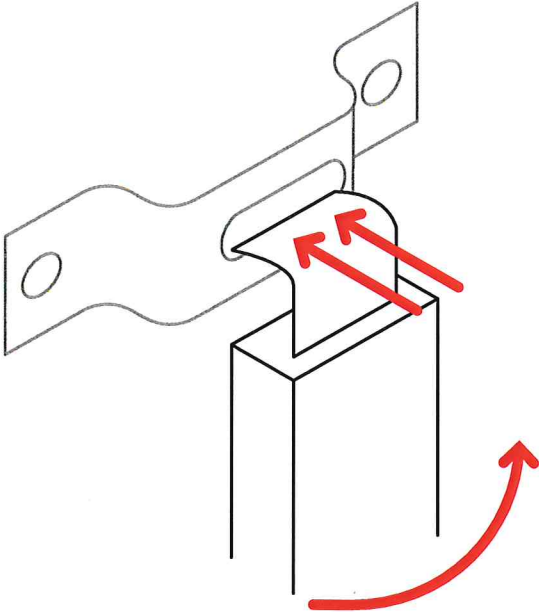
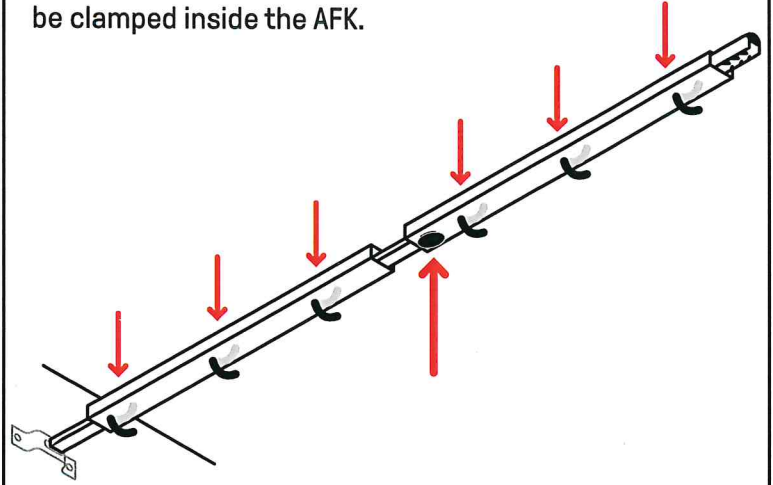


REPEAT ALL INSTRUCTIONS ON BOTH AFKs.

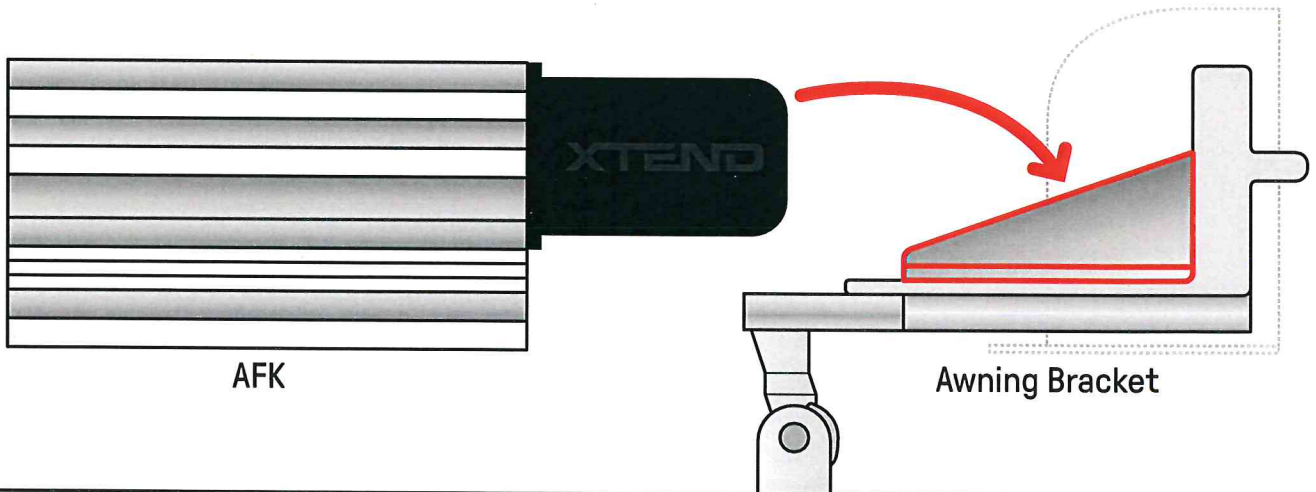
1 Insert the metal end of the AFK into the bracket on the van. Then raise the AFK to horizontal.



2 Loosen the knob on the middle of the AFK and extend it to fit the width of the awning. Open the 6 handles to allow the awning vinyl to be clamped inside the AFK.



3 Fit the AFK to the awning by pushing the black bracket on the AFK onto the grey triangular bracket on the awning.



4 Pull the two ends of the AFK apart to ensure it fits snugly between the van and the awning. Tighten the knob and then clamp the awning material inside the AFK and close the clamps.

