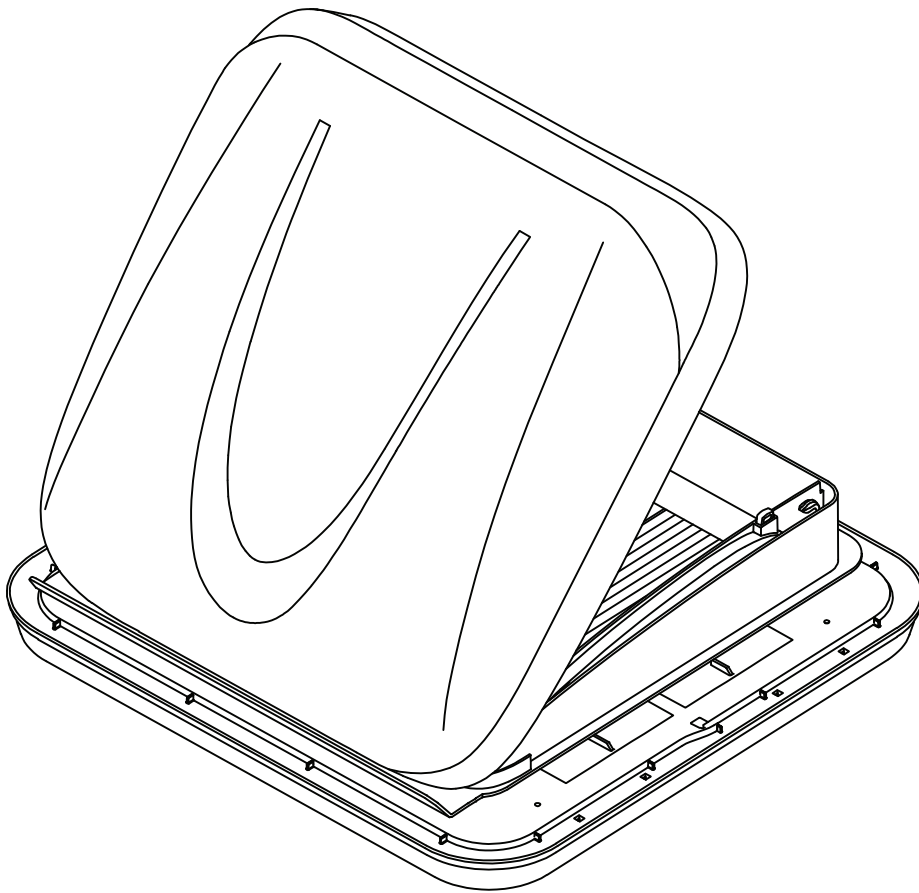




EN Roof Windows User & Installation Manuals



Model: 400x400 Manual Opening

1300 663 868 | enquiries@aussietraveller.com.au | aussietraveller.com.au

BRISBANE SHOWROOM: 11-15 Oasis Court, Clontarf QLD 4019 | MELBOURNE SHOWROOM: 235 Barry Road, Campbellfield VIC 3061



EN >>

Contents

Use

Main Components	02
Security Considerations	03
Roof Window Use	04

Installation

Product Size	07
Packing List	08
Install Instructions	09

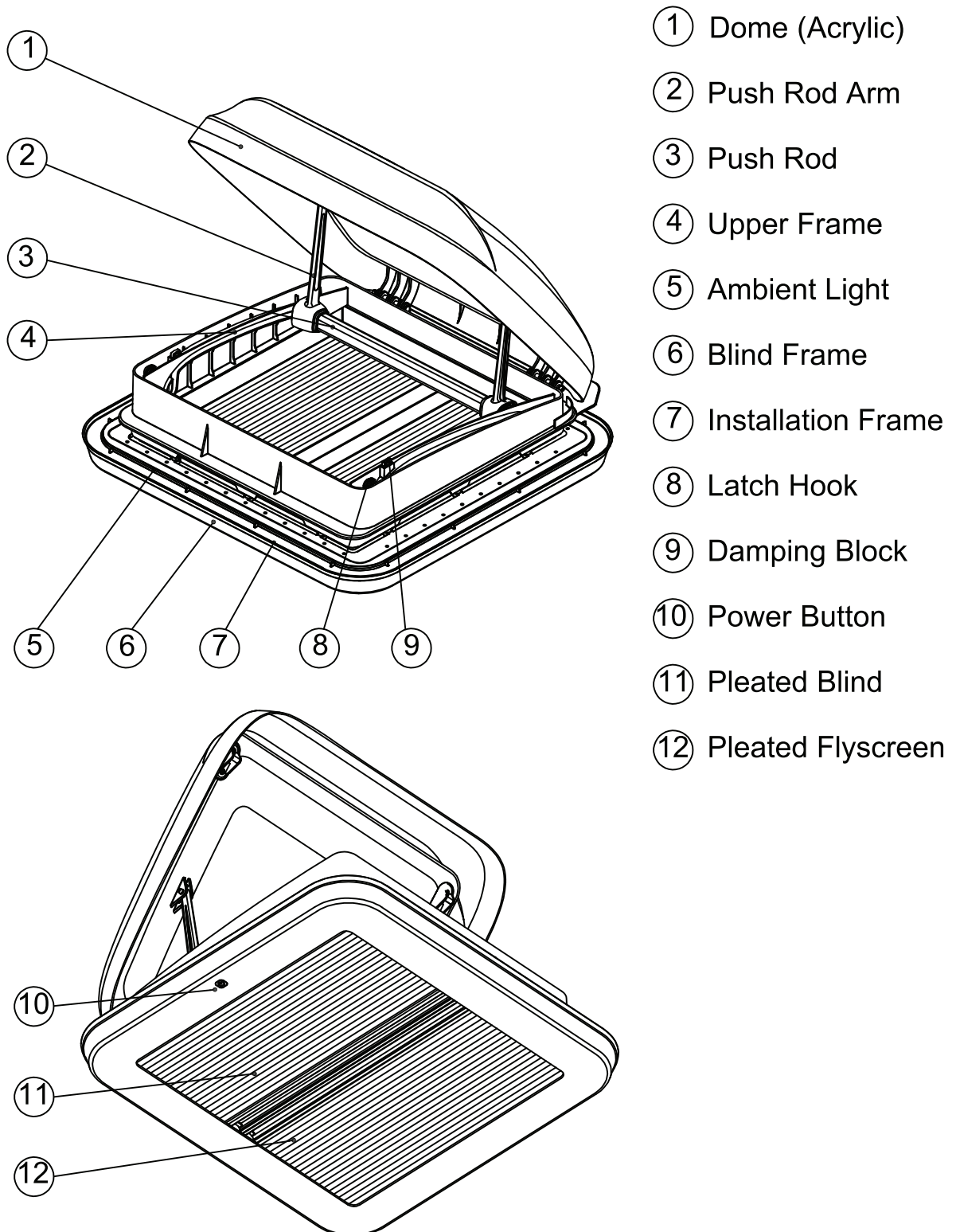
Others

Warranty Regulations	13
Warranty Card	14

- Thank you for purchasing our products! Please read this manual carefully before you use the product save it for future reference.

Main Components

Roof window







Note: The version without ambient lights has no power button.

Security Considerations

Please read this manual carefully before installation, and first use, and store it in a safe place. If you pass on the product to another person, hand over this instruction manual along with it.

In order to avoid property damage to users and others, please strictly follow the safety warnings and precautions.

• Symbols and Meanings

	Warning! Risk of causing serious injury or damage.
	Attention! Not follow instruction will lead to damage.
	This symbol indicates that this operation is prohibited.
	This symbol indicates related information.



Warning!

1. The ambient light must be connected to a DC12V power supply and the power supply must be correctly connected. Otherwise, the product may be damaged or cause a fire.
2. Please lock the dome of the roof window before driving, otherwise the acrylic may be damaged when driving.



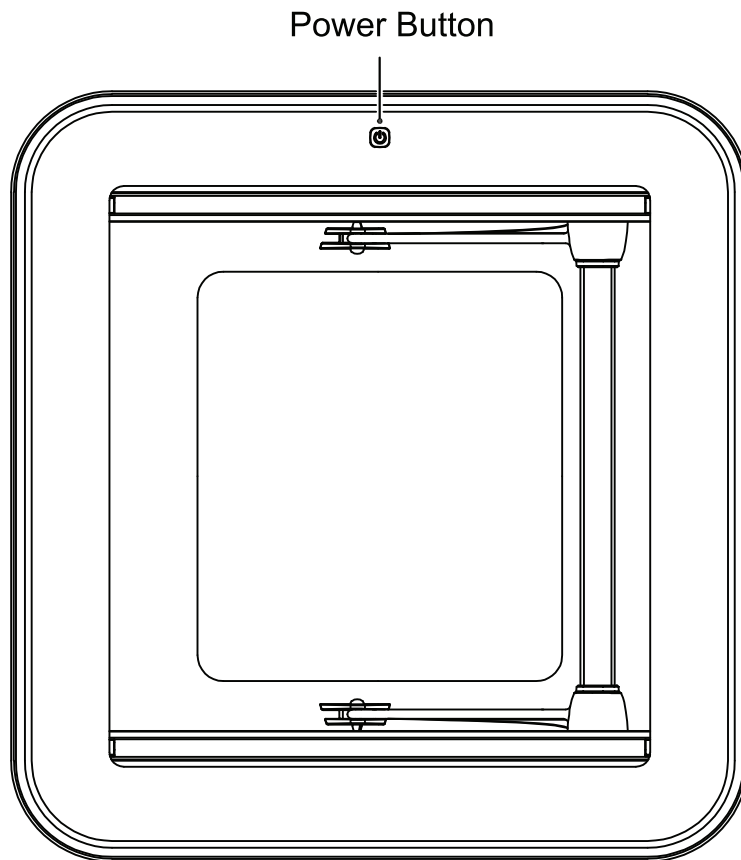
Attention!

1. Please close the dome of the roof window on rainy days, or open the top cover to the ventilated gear, but you need to switch the skylight from the ventilated gear back to the close when driving.
2. The push rod can withstand a maximum pull-down force of 30kg. Do not hang heavy objects on the push rod.
3. When closing the dome, please pull down the push rod to the end, make sure that both ends are stuck in the corresponding position and make a clicking sound, and make sure that the push rod is completely locked.
4. If faults or disturbances occur, consult a specialist workshop immediately.
5. Before starting your journey, check the roof window for damage (such as tension cracks in the acrylic glass).
6. Do not open the window in strong wind or rain. Close the roof window if it rains or snows. Do not leave the vehicle with the roof window open. Keep the roof window free of snow and ice.

Roof Window Use

Ambient Light

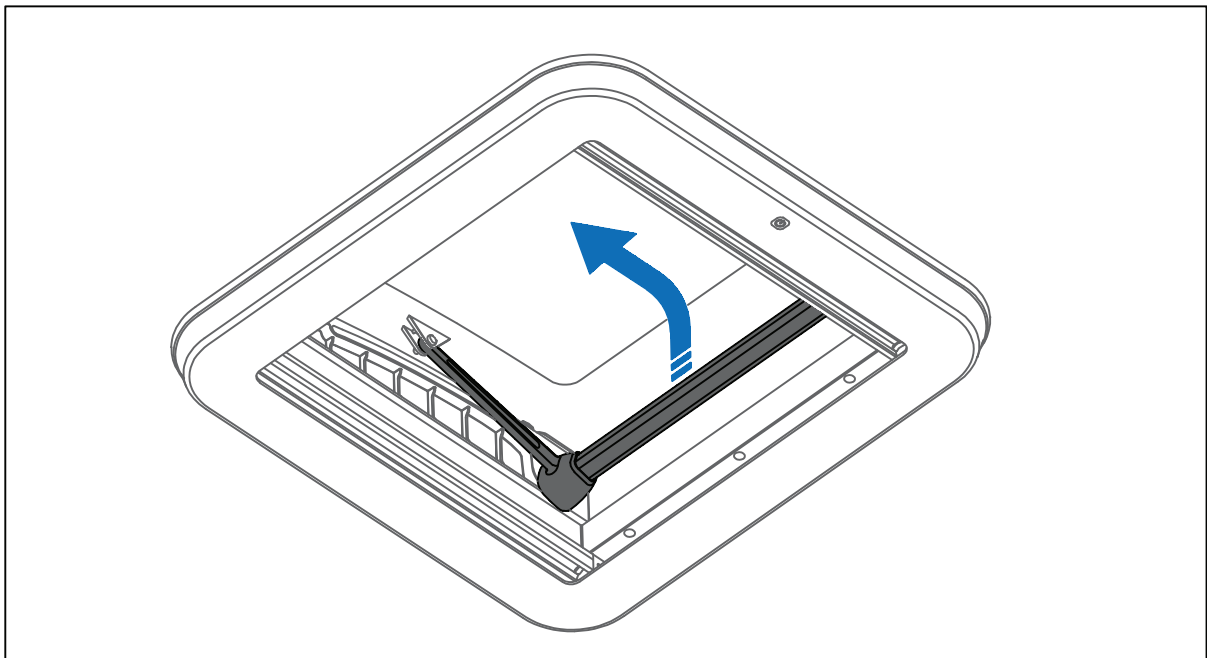
Number of touches	One	Two	Three	Four	Five
Corresponding function	LOW	MEDIUM	HIGH	STANDBY	LOW



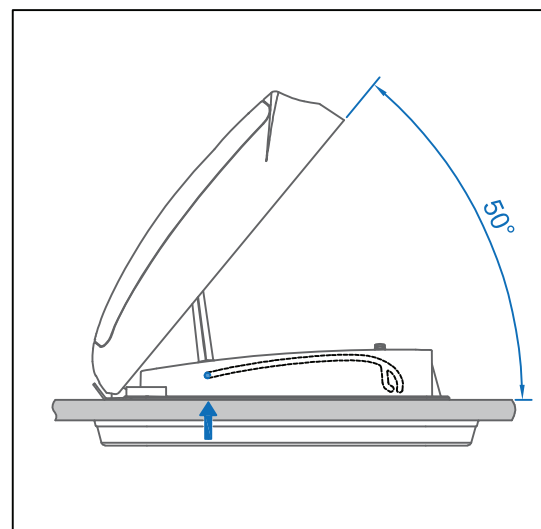
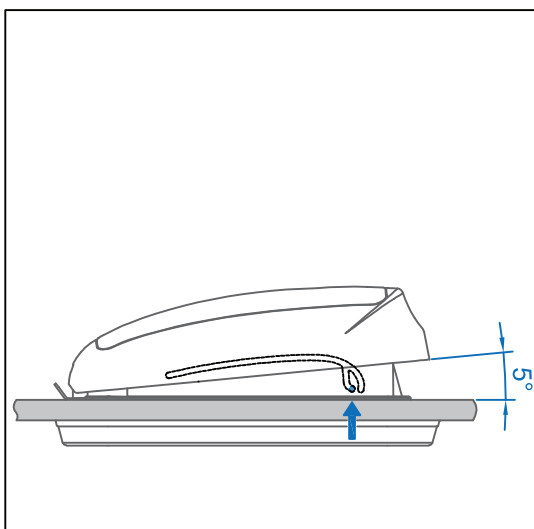
 Please turn off the power when leaving the vehicle.

Roof Window Use

Open the Dome



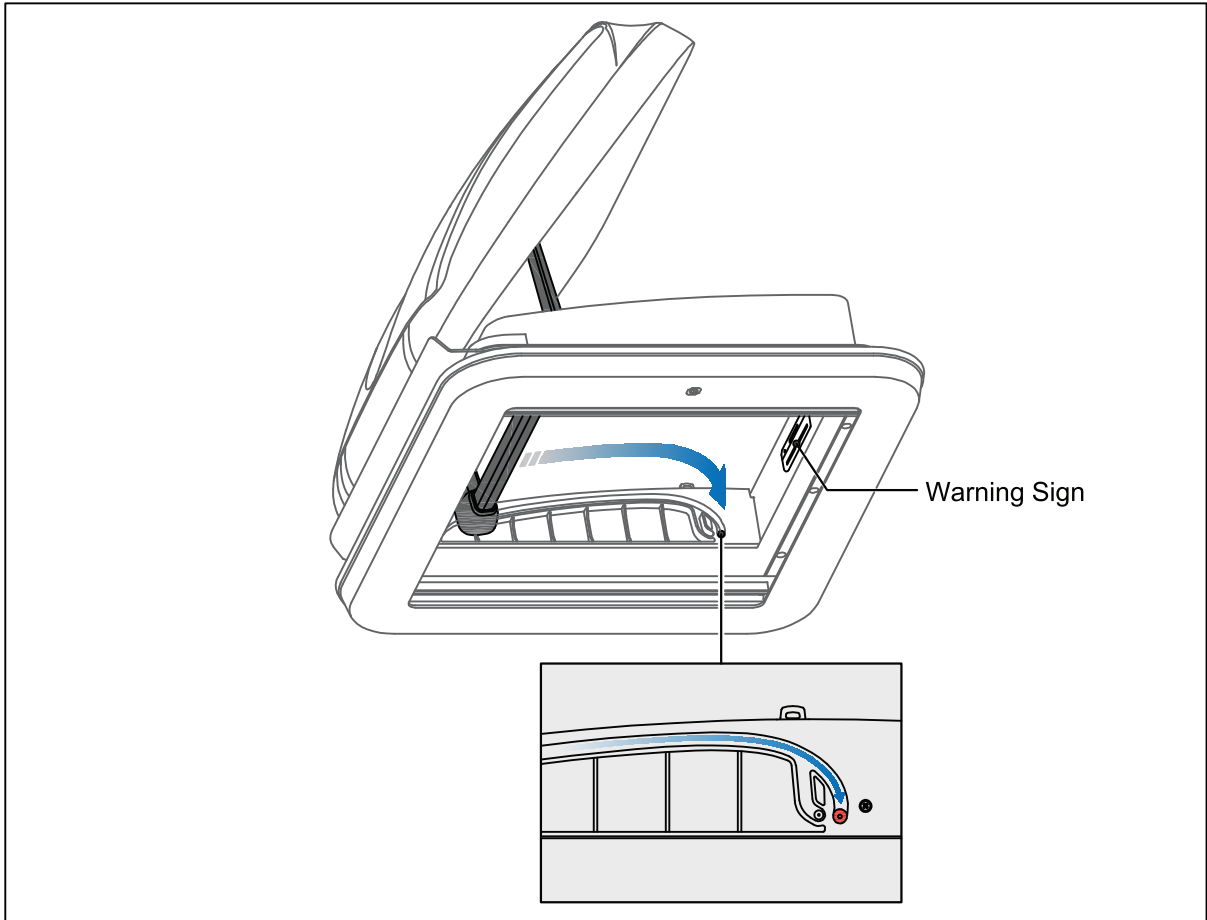
Push the push rod up to unlock and continue to slide toward the front of the car to fix the push rod at 5° semi-ventilated gear or 50° fully-ventilated gear.



Hold the middle position of the push rod when opening the roof window, this position is more conducive to unlocking.


Roof Window Use

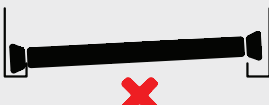
Close the Dome



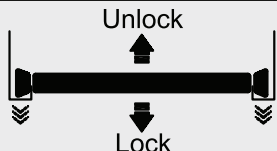
Slide the push rod along the track to the end of the track (the red position in the picture) and make a click sound, which means that the push rod is locked.

Warning Sign


 Make sure both sides are locked before driving!



✗

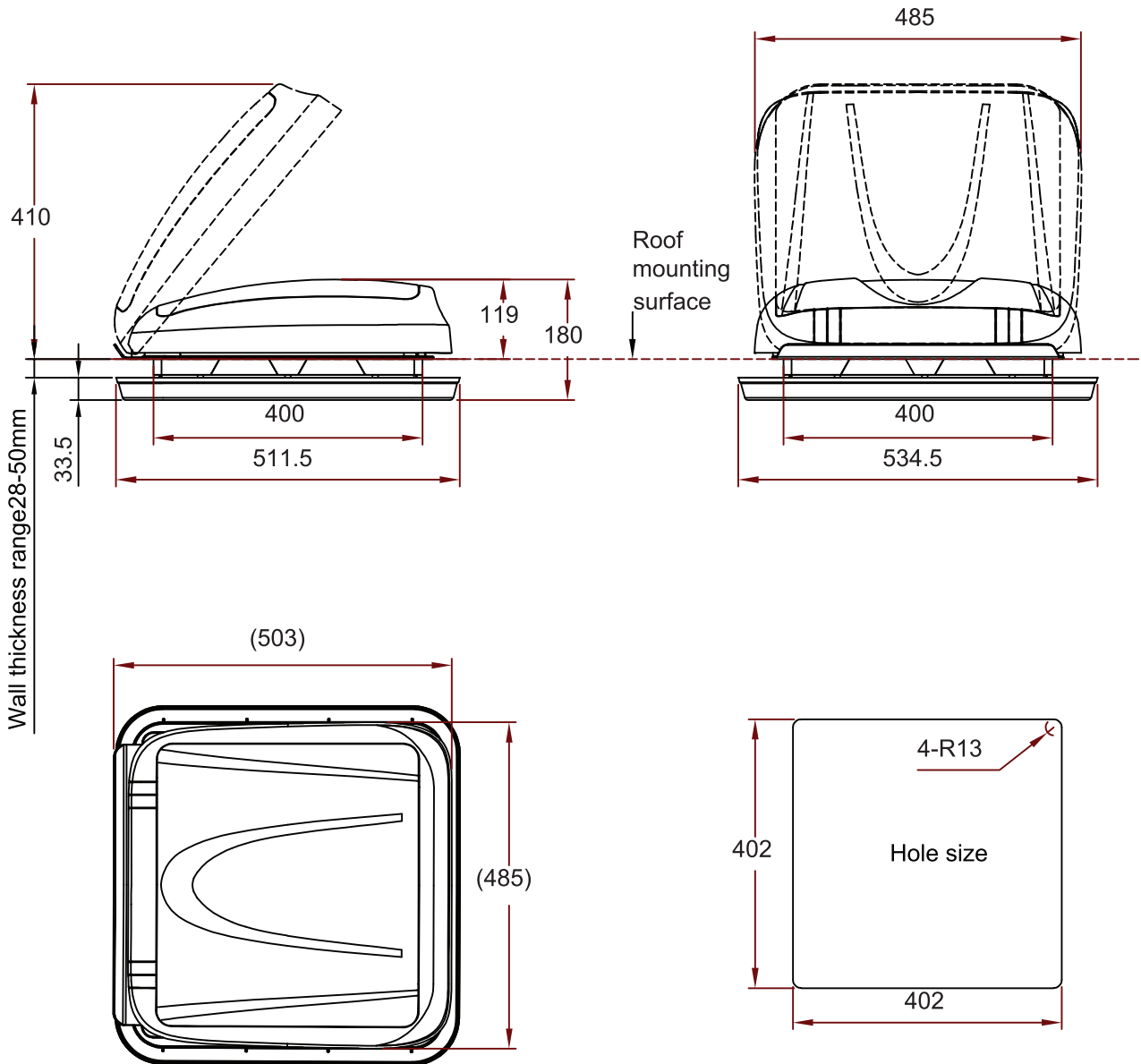


Unlock
↓
Lock

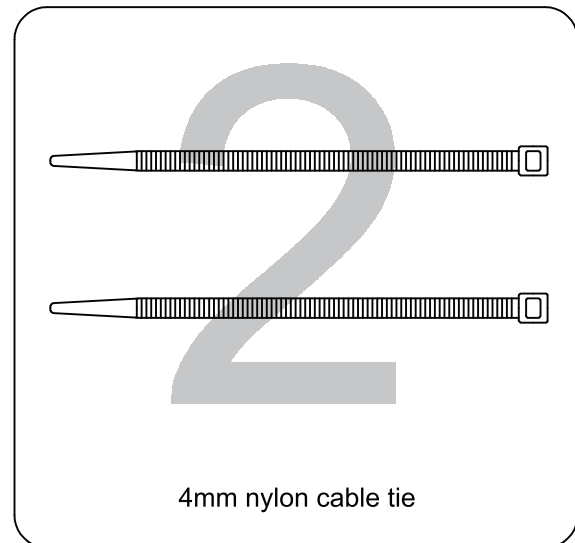
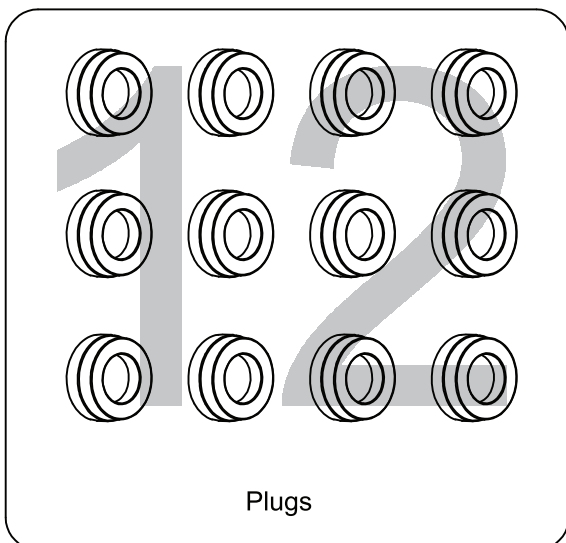
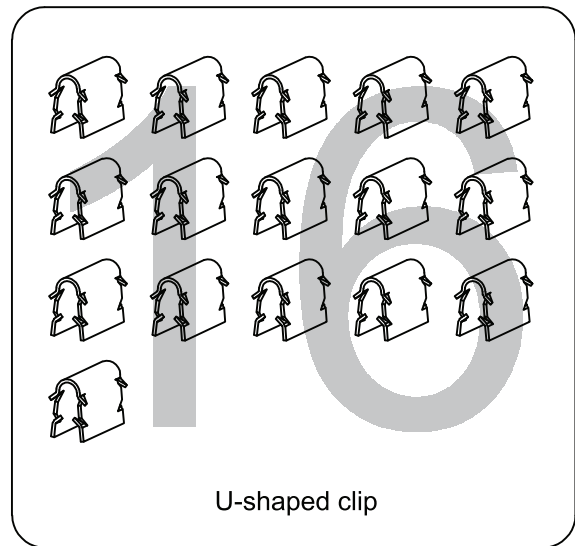
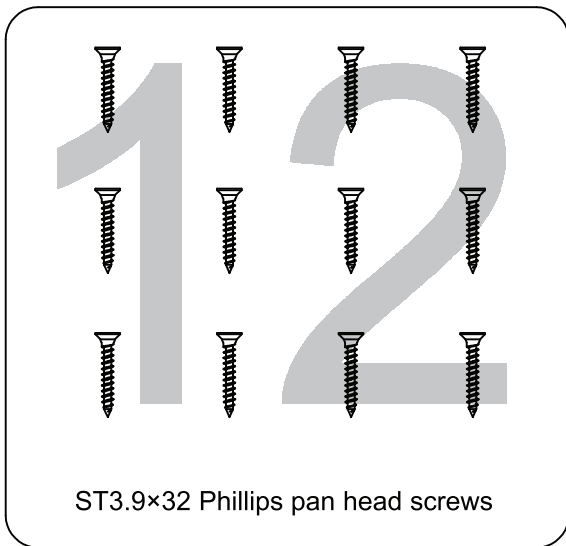
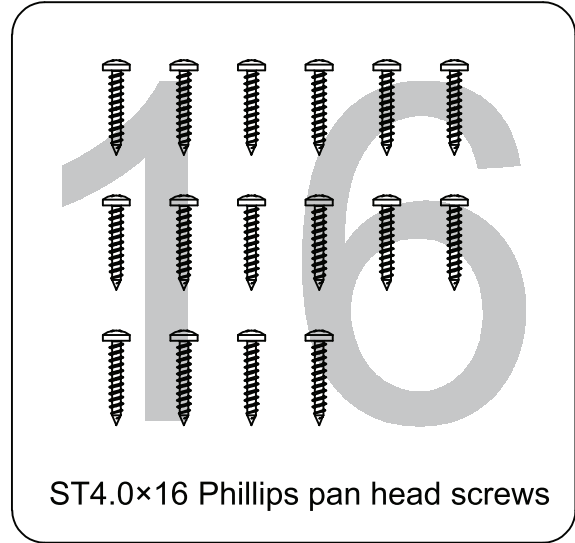
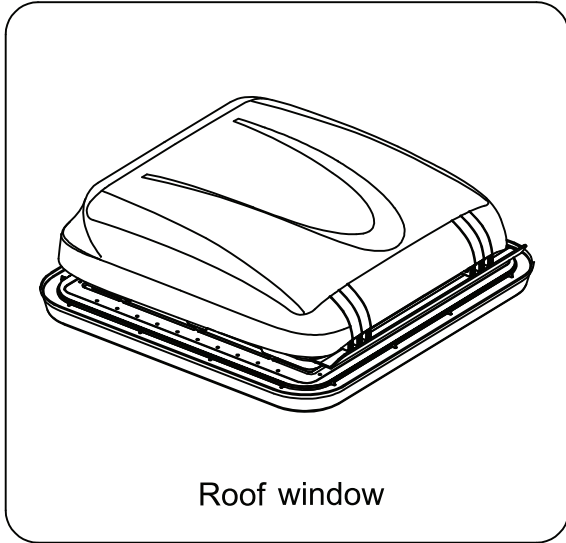
 Please make sure that both ends of the push rod are locked before driving!

Product Size

Unit: mm

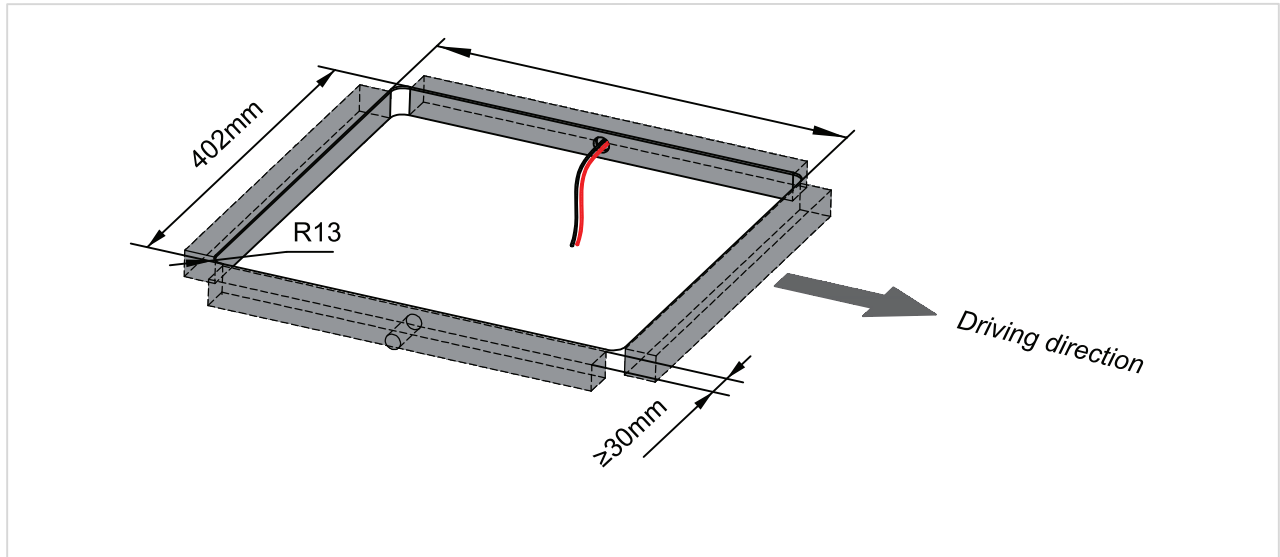


Packing List



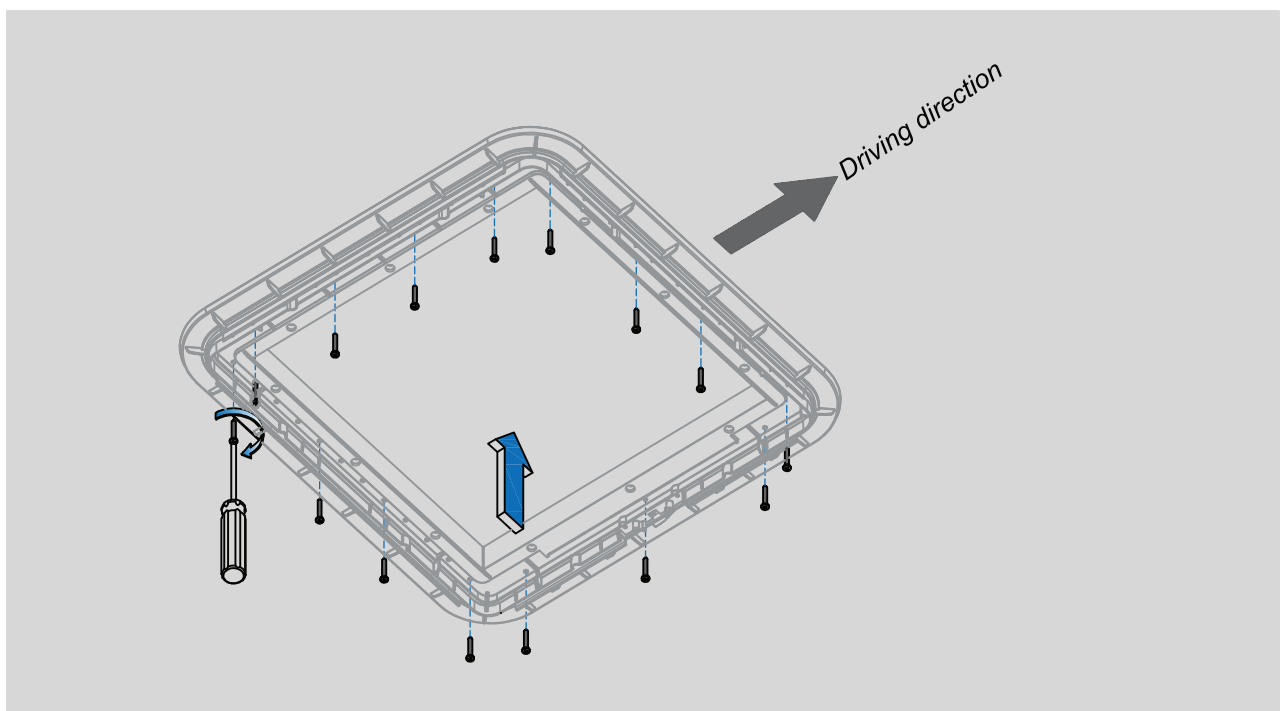
Install Instructions

1. According to the hole size drawing on the product size page, cut the installation hole on the roof (a solid wall $\geq 30\text{mm}$ wide is required around the opening so that the screw can be firmly nailed into the wall), and you can choose to install it on the left or right (reserve a room for a power cord $\geq 50\text{mm}$ in the side hole).



This installation instruction takes the outlet on the left side of the car body as an example.

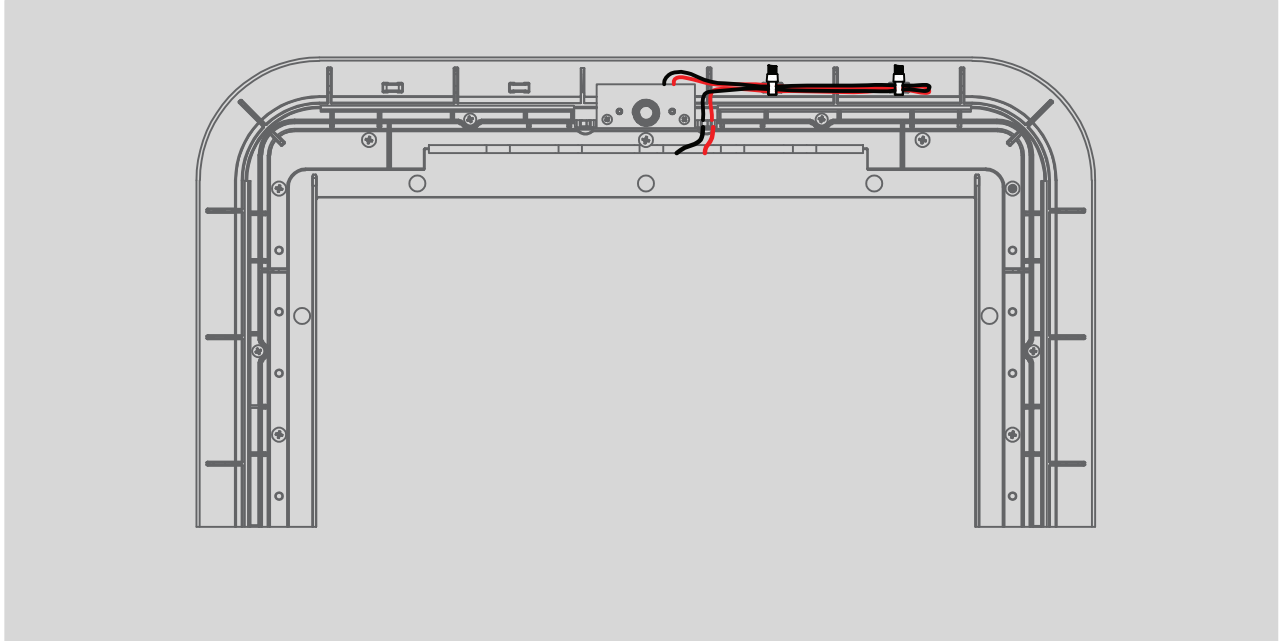
2. After observing the position of the touch switch on the mounting frame, confirm the direction of the mounting frame according to the reserved position of the power cord (the switch position and the reserved line position are on the same side), and use 15 ST4.0 \times 16 self-tapping screws from the inside car to fix the mounting frame on the roof, and check whether the mounting frame is fixed well to the roof.



The frame body should be aligned with the hole in the center, with the same seams all around, and pay attention to protect the induction spring on the circuit board during installation.

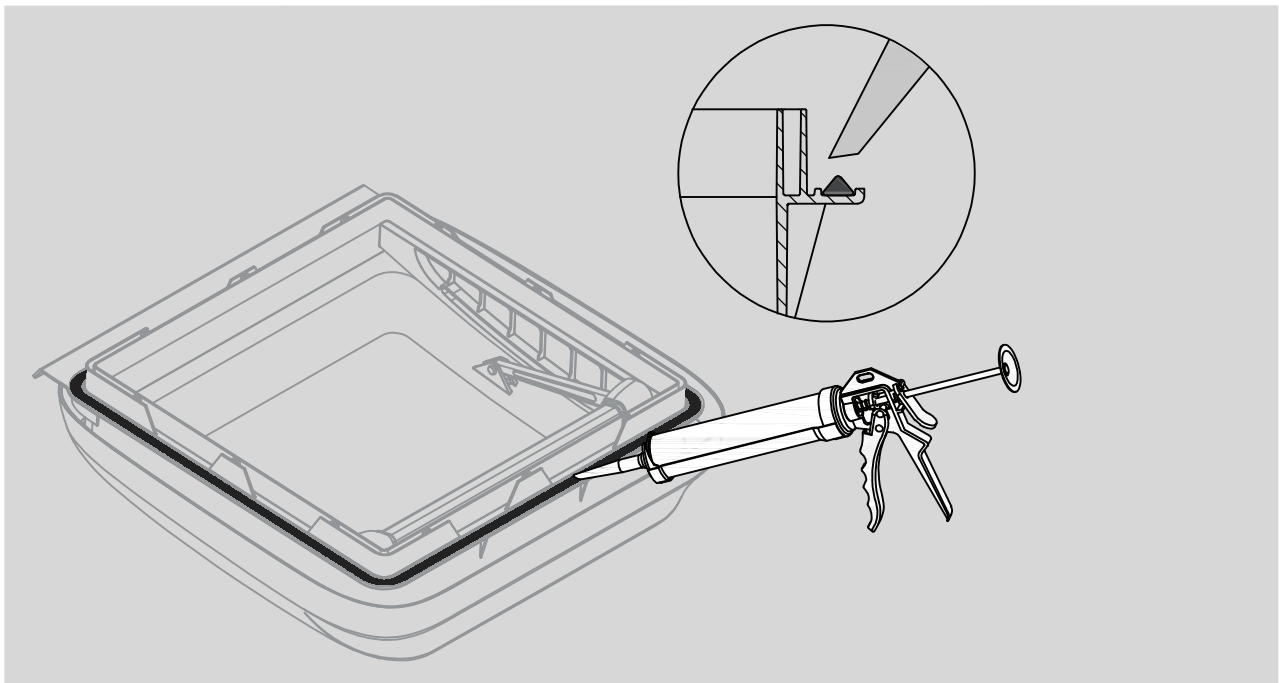
Install Roof Window

3. Connect the reserved cord to the touch panel power cord and wrap it with electrical tape, and use a 4mm wide cable tie to tie the excess power cord to the fixed point of the light guide (there are fixed points on the left and right sides), and check whether the light strip works normally after power on.



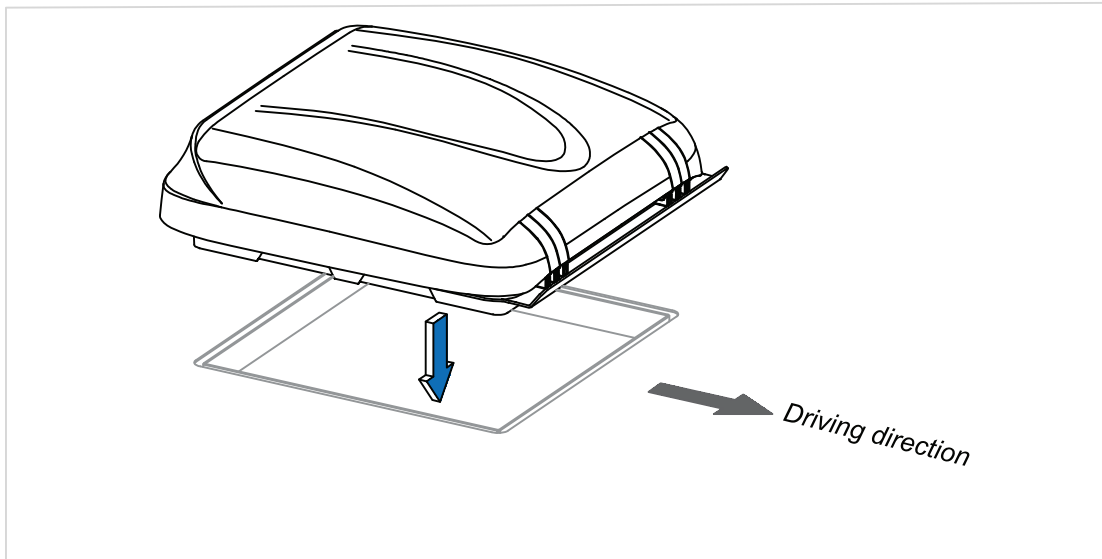
Pay attention to protect the spring on the circuit board during installation.

4. Apply a ring of sealant evenly in the glue groove of the upper frame of the skylight.

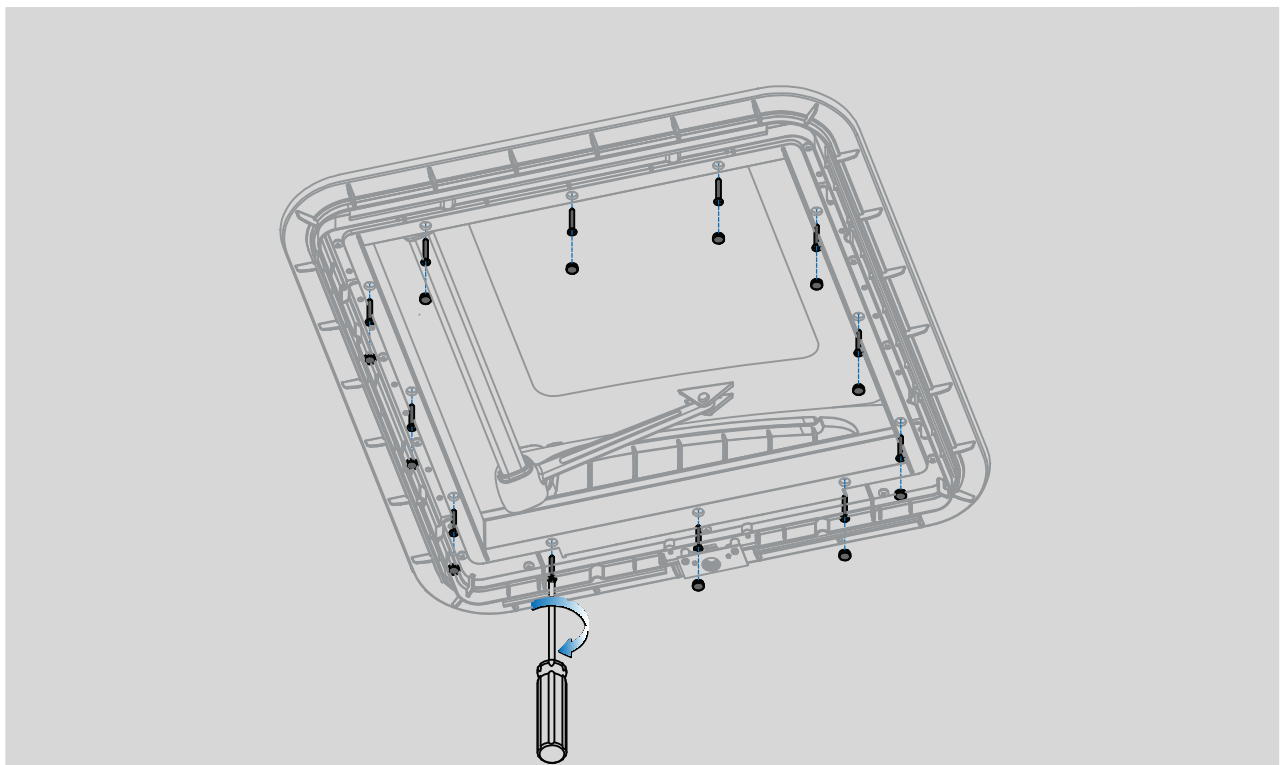


Install Roof Window

5. Clean the oil and dust on the roof mounting surface, and then install the upper part of the skylight into the hole.

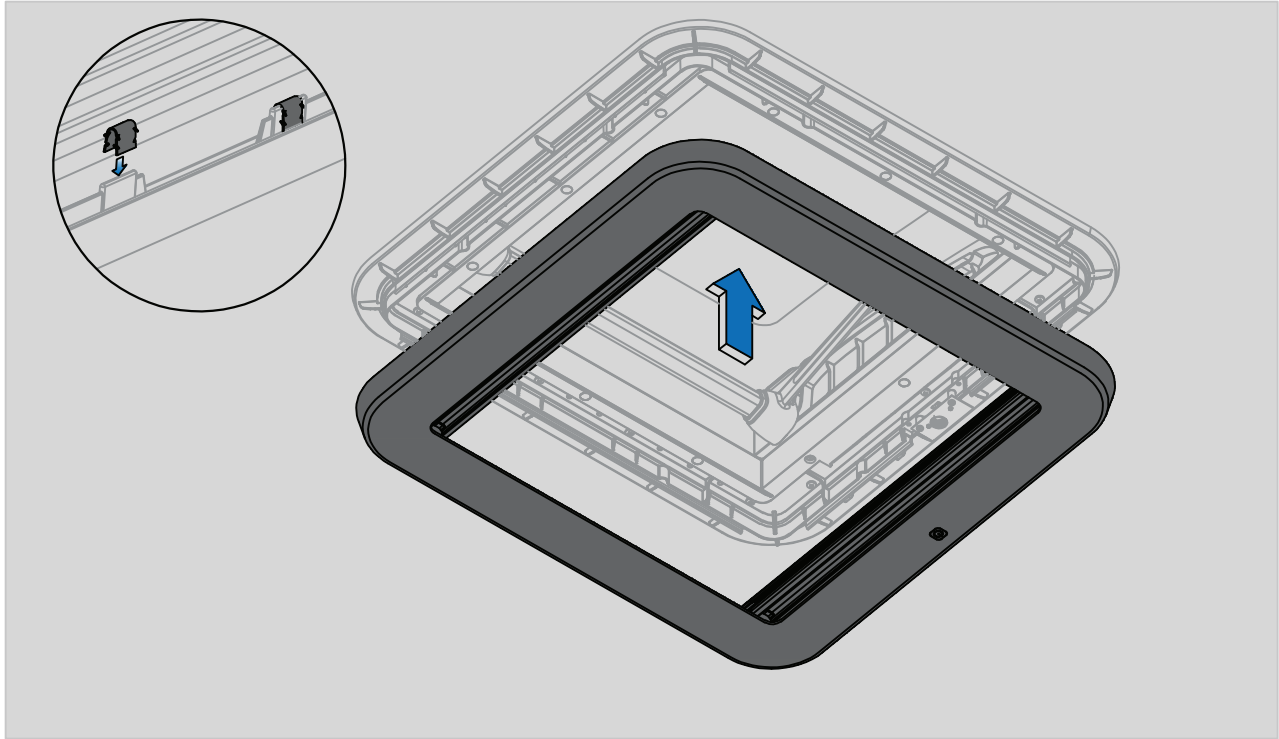


6. Use 12 ST3.9×32 self-tapping screws to fix the upper part of the roof window from inside the car, then insert 12 plugs into the screw holes and make them flat.



Install Roof Window

7. Clamp the 16 U-shaped clips onto the fins of the blind frame and then clamp them upward into the installation frame, and pat the frame with your hand or a rubber hammer to make it fully clamped, and check the frame is tightly attached to the Installation frame.



8. Check whether the lights, blind/flyscreen and top cover can be used normally.

WARRANTY STATEMENT

Aussie Traveller Pty Ltd ACN 642 775 460 (**Aussie Traveller**) offers the following warranty in relation to the products it supplies directly or through an authorised manufacturer, dealer or approved service repair agent (**Product**).

Australian Consumer Law

The benefits of this warranty are in addition to any rights and remedies imposed by Australian State and Federal legislation that cannot be excluded. Nothing in this warranty is to be interpreted as excluding, restricting or modifying any State or Federal legislation applicable to the supply of goods and services which cannot be excluded, restricted or modified.

If you are a consumer as defined in the Australian Consumer Law: *Our goods come with guarantees that cannot be excluded under the Australian Consumer Law. You are entitled to a replacement or refund for a major failure and compensation for any other reasonably foreseeable loss or damage. You are also entitled to have the goods repaired or replaced if the goods fail to be of acceptable quality and the failure does not amount to a major failure.*

Warranty

Aussie Traveller warrants that, subject to the exclusions and limitations below, all parts of the manufacture and assembly of the Product will be free from defects in materials and workmanship (**Warranty**) for a period of 12 months from the date of purchase as follows:

1. This Warranty is activated at the time of purchase by the final retail customer (being the owner of the Product).
2. In the event the Product is purchased by a manufacturer, dealer or approved service repair agent, this Warranty will commence at the time the final retail customer makes payment for the Product to the wholesale purchaser.
3. If the Product is purchased directly from Aussie Traveller for use by final retail customer and not to be on sold in any way, the Warranty will commence at the time of the original purchase.

Warranty Period

This Warranty cannot be assigned or transferred to a subsequent owner of the Product.

The purchaser or final retail customer should inspect the Product immediately when received or at vehicle handover, to ensure that it appears free from any damage or defect, and matches the description provided.

If after accepting the Product, a defect appears in the manufacture or assembly of the Product before the end of the Warranty Period and Aussie Traveller finds the Product to be defective in materials or workmanship, Aussie Traveller will, in its sole discretion, either:

- a. replace, repair or refund the Product or the defective part of the Product free of charge; or
- b. cause the Product or the defective part of the Product to be replaced or repaired by a qualified repairer free of charge.

In arranging Warranty inspection, service and repair, Aussie Traveller will seek to provide the details of an approved service agent within your geographic area. Should one not be available, or if the Product is in use in travel, Aussie Traveller reserves the right to seek to arrange a repair or replacement at the next available location on the route of travel.

Aussie Traveller reserves the right to replace defective parts of the Product with parts and components of similar quality, grade and composition where an identical part or component is not available.

Products presented for repair may be replaced by refurbished goods of the same type rather than being repaired. Refurbished parts may be used to repair the Product.

Aussie Traveller Awning Products

This Warranty covers specified defects in materials or workmanship for Awning Products as follows:

1. The vinyl fabric is warranted against:
 - a. holes caused by mildew (mildew will form on dust and dirt and stain fabric if fabric is not kept clean).
 - b. excessive cracking, peeling, hardening or loss of strength while used under normal conditions.
 - c. excessive fading (a slight colour change may occur due to ultraviolet rays).
2. All hardware components including the roller are warranted not to bend or break under normal use (excluding high winds, water pooling and accidents).

Making a Warranty Claim

If a defect covered by this Warranty appears, the Customer must first contact Aussie Traveller within 7 days of first becoming aware of the defect. Aussie Traveller will assist the Customer to rectify and resolve any Product issue that may arise.

When making a claim under this Warranty, Aussie Traveller requires that the following information be provided before any further action will be taken.

1. Original Invoice (Document or Number);
2. Make and model of the Product;
3. Make and model of the vehicle (if Product fitted);
4. Vehicle build date (if Product fitted);
5. Vehicle chassis number;

6. Description of damage and/or repair required;
7. Photos of the damage and/or repair; and
8. Appropriate documentation (such as historical and maintenance records).

Aussie Traveller reserves the right to request more information or images should what is provided not be sufficient to make an assessment for the Warranty claim.

The Product must be made available to Aussie Traveller or its authorised repair agent for inspection and testing. If such inspection and testing find no defect in the Product, the final retail customer must pay Aussie Traveller's usual costs of service work and testing.

The final retail customer must bear the cost of the transport of the Product to and from Aussie Traveller or the authorised repair agent, and all insurance of the Product.

Exclusions

This Warranty will not apply where:

- the Product has been repaired, altered or modified by someone other than Aussie Traveller, or without the written consent of Aussie Traveller or an authorised repair agent;
- the alleged defect in the Product is within acceptable industry tolerances and variances;
- Aussie Traveller cannot establish any fault in the Product after testing and inspection;
- the Product has been used other than for the purpose for which it was designed;
- the alleged defect in the Product has arisen due to the final retail customer's failure to properly use and
- maintain the Product in accordance with any of Aussie Traveller's instructions, recommendations and specifications (including applicable maintenance schedules);
- the alleged defect in the Product has arisen due to the final retail customer's request to customise the Product;
- the Product has been subject to abnormal conditions, including environment, temperature, high or excessive wind, water, fire, humidity, pressure, stress or similar;
- the alleged defect has arisen due to abuse, misuse, neglect or accident;
- unauthorised parts or accessories have been used on or in relation to the Product;
- the Product has been overloaded or involved in an accident;
- the alleged damage or defect has been caused by normal wear and tear;
- the alleged damage to fabric has been caused by storm, wind or rain, or stretching of fabric caused by water pooling on fabric;
- breakage or bending of hardware components has been caused by storm, wind or rain, or water pooling on fabric.

Replacement Warranty Item

If, under Warranty, a Product is replaced or repaired by Aussie Traveller or an Aussie Traveller agent, unless provided in writing to indicate otherwise, the replacement Product will carry the **remaining** Warranty terms and conditions, including length of time, of the original purchased Product.

Change of Mind

Aussie Traveller understands that at times, final retail customers may change their mind. Choose carefully as return and credit requests for items purchased by mistake or "change of mind" reasons may not be approved. Aussie Traveller will not accept Product returns under these circumstances unless by written approval by an authorized Aussie Traveller representative. If approved, an administration and restocking fee may apply.

Limitations

Aussie Traveller makes no express warranties or representations other than set out in this Warranty.

The repair or replacement of the Product or part of the Product is the absolute limit of Aussie Traveller's liability under this express Warranty.

Contact

Australia Wide: 1300 663 868

Melbourne Office
 235 Barry Road
 Campbellfield, Melbourne, 3061
 Ph: +61 3 9357 6565
 enquiries@aussietraveller.com.au

Brisbane Head Office, Factory & Showroom
 11-15 Oasis Court
 Clontarf, Brisbane, 4019
 Ph: +61 7 3284 3284
 enquiries@aussietraveller.com.au

To receive a copy of the Aussie Traveller Warranty Terms & Conditions or information regarding specific Aussie Traveller products, please contact Aussie Traveller Head Office on (07) 3284 3284 or email enquiries@aussietraveller.com.au.