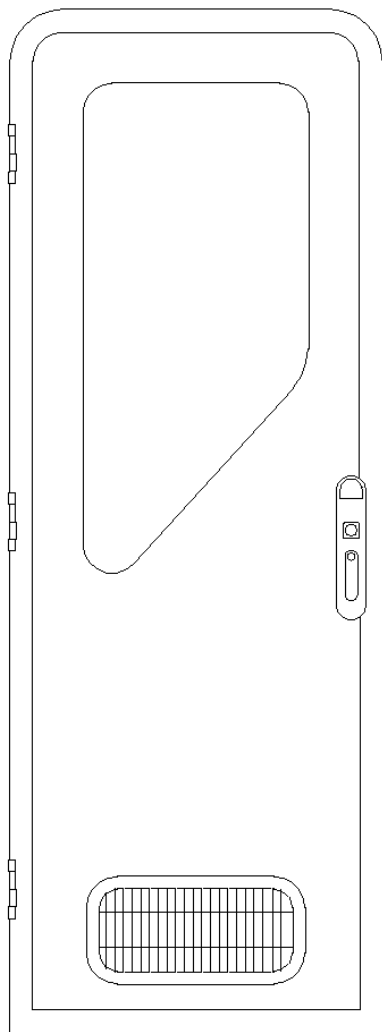




DCE DOOR

INSTALLATION MANUAL

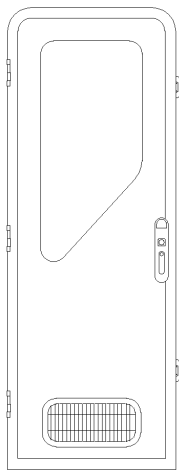




Read this installation instruction thoroughly.
Incorrect installation or operation may void any warranty.
Incorrect use or operation may cause serious injury.

PACKING LIST

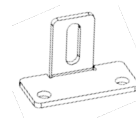
NUMBER	ITEM DESCRIPTION	QTY
1.	DCE Door - 125 Radius	1
2.	'D'-shaped door holder bracket	1
3.	Striker back plate	2
4.	Striker plastic cap	2
5.	M5X16 screw	2
6.	Striker mounting bracket pad	2
7.	Key	2
8.	Rubber trim for wall thickness of 30–35mm	1
9.	Rubber trim for wall thickness of 25–29mm or 36–40mm	1



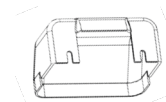
1.



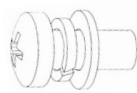
2.



3.



4.



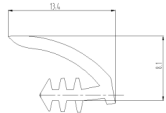
5.



6.



7.



8.



9.

1300 663 868 | enquiries@aussietraveller.com.au | aussietraveller.com.au

BRISBANE SHOWROOM: 11-15 Oasis Court, Clontarf QLD 4019 | MELBOURNE SHOWROOM: 235 Barry Road, Campbellfield VIC 3061

INSTALLATION

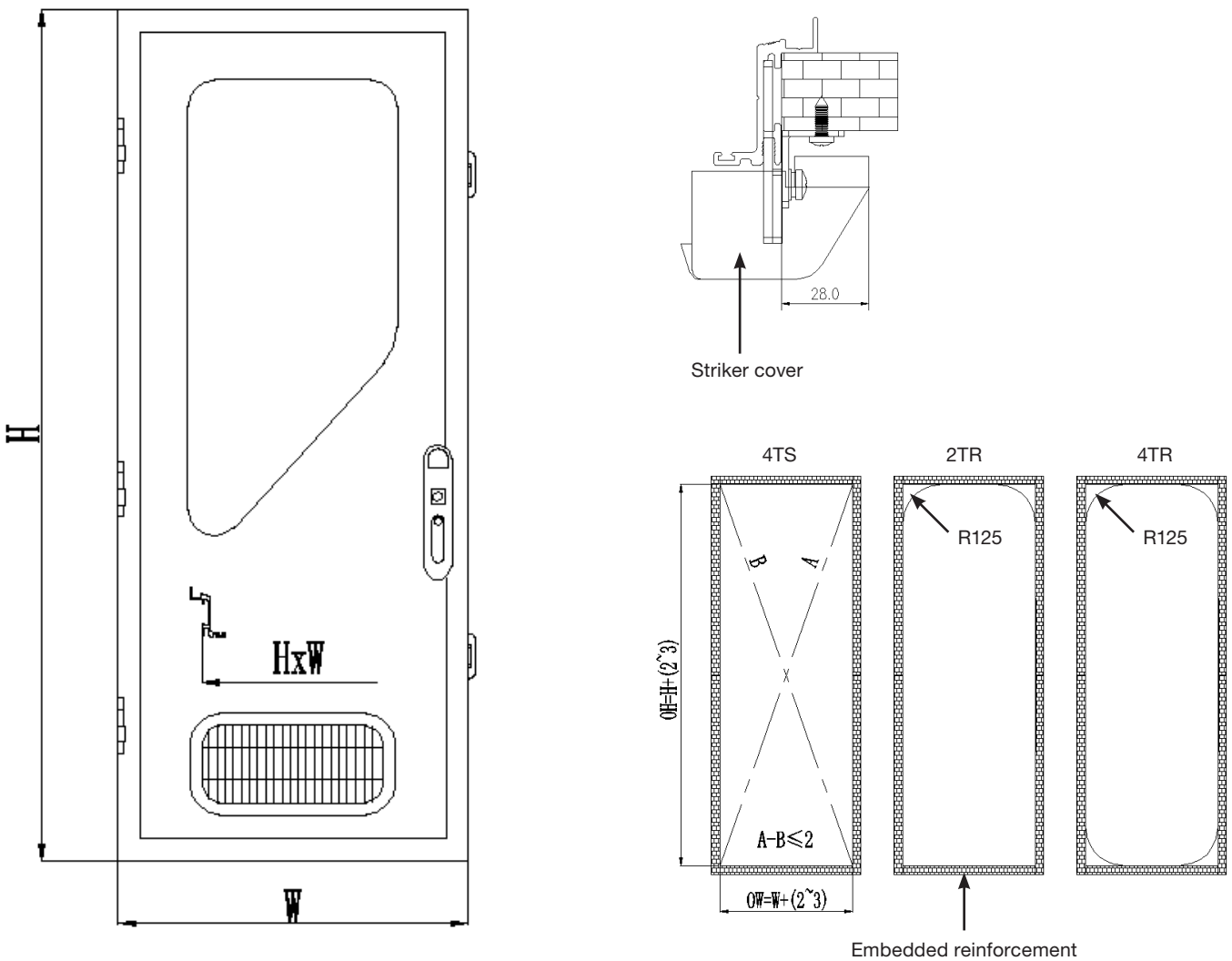
NOTE: These new doors come with packers in place to enable them to be fitted with minimal effort.

The security door and door frame are held in place by four (4) packers. The packers are rubber and are located between the security door and the door frame and near door lock. These should not be removed until the door frame is secured to the caravan frame.

1. CUTOUT

According to door size (HxW), cut out the hole (OHxOW). The embedded reinforcement is required around the hole, as Fig. 1. If fix the striker back brace and striker cover, enough space around the hole should be left.

Figure 1.



1300 663 868 | enquiries@aussietraveller.com.au | aussietraveller.com.au

BRISBANE SHOWROOM: 11-15 Oasis Court, Clontarf QLD 4019 | MELBOURNE SHOWROOM: 235 Barry Road, Campbellfield VIC 3061

INSTALLATION (CONT.)

2. INSTALLATION OF THE DOOR FRAME

1. Take out the door from the box and check if the packers are missing or running (**these should not be removed until the door frame is secured to the caravan frame**).
2. Add sealing compound on the door frame As in Fig.2.
3. Position the door frame into the caravan cut-out and locate in desired position .as in Fig.3.
4. Fix the door frame to the caravan frame with one screw at each corner. The door frame is fixed and unable to move within the caravan frame. As in Fig. 4.
5. Check the gap between the door frame and the caravan frame inside. If necessary, add pad between them to keep the gap consistent, ensure the door lock bolts be engaged. When door is closed, the gap between the security door and the door frame is between 7 to 9.As shown in Fig. 5.
6. Open security door, remove packers and finish fixing door frame to caravan frame. As in Fig. 6 (B/C).

Figure 2.

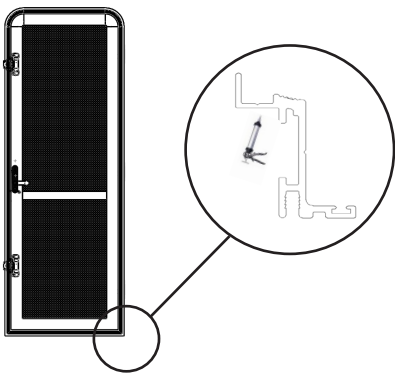


Figure 3.

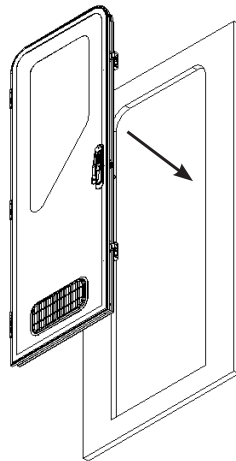


Figure 4.

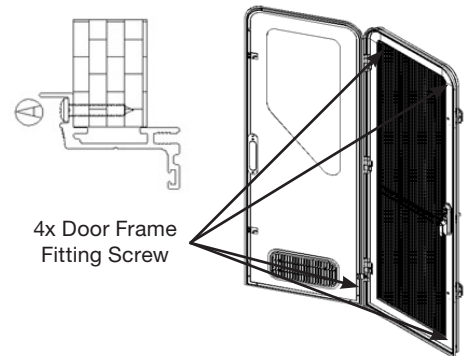


Figure 5.

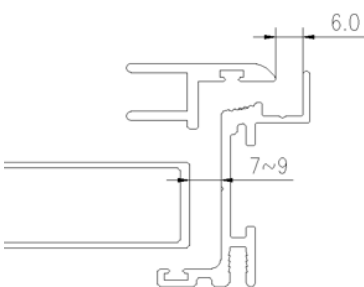
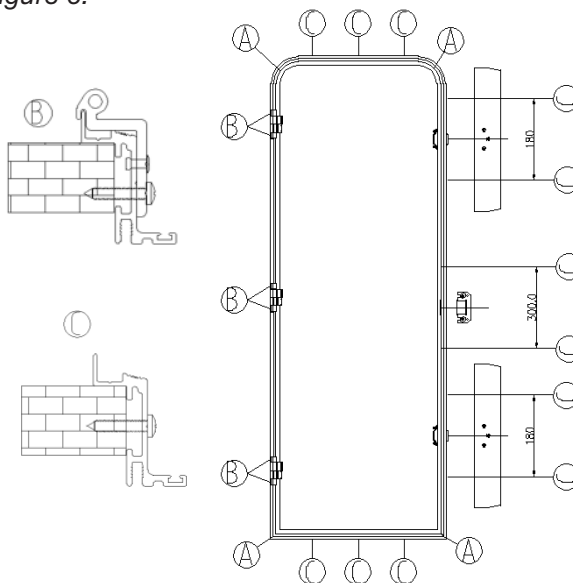


Figure 6.



1300 663 868 | enquiries@aussietraveller.com.au | aussietraveller.com.au

BRISBANE SHOWROOM: 11-15 Oasis Court, Clontarf QLD 4019 | MELBOURNE SHOWROOM: 235 Barry Road, Campbellfield VIC 3061

INSTALLATION (CONT.)

3. CHECK THE DOOR & LOCK FUNCTION

1. After door is installed, the lock can be opened and closed freely, and the door can be closed with a little force, and the central lock tongue can be easily engaged with the centre striker plate.
2. Rotate the handle, the top and bottom striker head can move up and down smoothly in the strikers. The force to rotate the handle is appropriate. Easy to unlock/lock with the key and Deadlock catch. And the key can turn back to original position automatically.
3. Rotate the release lever, the outer door and the Security door can be automatically separated. If the release lever is not rotated, the security door and the outer door must not be separated. the outer door and the security door can be joined easily. See the Operation instruction for details.

NOTE:

- The handle and key must be rotated into place.
- The lock is debugged before leaving the factory .If the striker head does not smoothly engaged with the striker as Fig.7, the striker can be adjusted up and down as Fig.8.
- If the force of rotating the handle is too big or if the door is not closed tightly, the striker can be adjusted back and forth as in Fig. 9.

Figure 7.

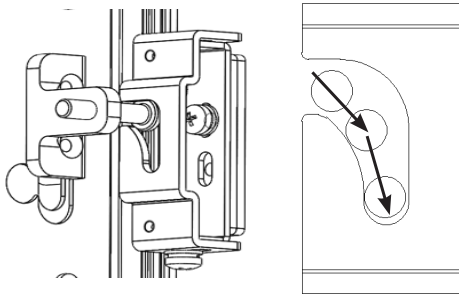


Figure 8.

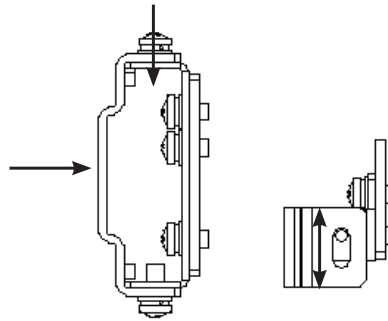
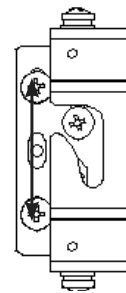


Figure 9.



4. FIX RUBBER TRIM

1. When the wall thickness is 30-35mm, use rubber trim (MD-XJT-002) as in Fig.10.
2. When the wall thickness is 25-29mm or 36-40mm, use rubber trim(MD-XJT-004). as in Fig. 11.

NOTE:

- It is necessary to tighten the rubber trim to prevent wrinkling.
- The rubber trim at the strikers needs to be cut off.
- The rubber trim joints should be glued.
- If the rubber trim warps at corners, glue or double-sided tape can be used

Figure 10.

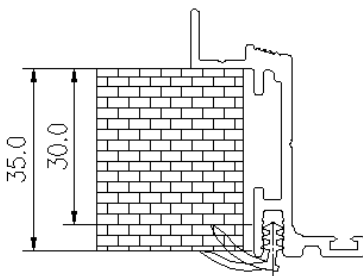
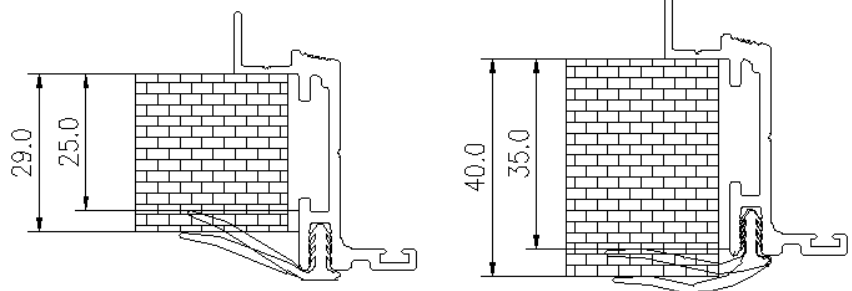


Figure 11.



1300 663 868 | enquiries@aussietraveller.com.au | aussietraveller.com.au

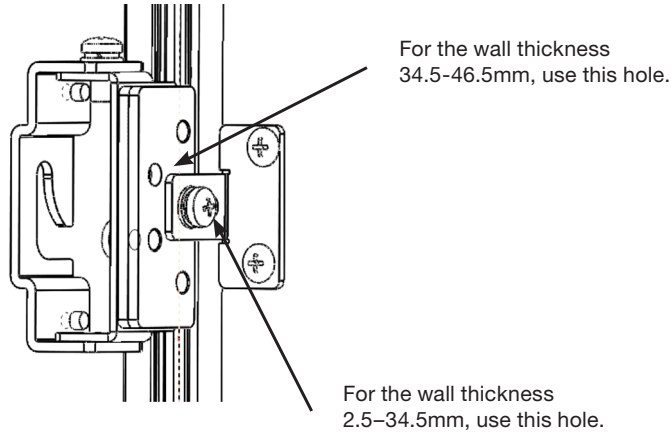
BRISBANE SHOWROOM: 11-15 Oasis Court, Clontarf QLD 4019 | MELBOURNE SHOWROOM: 235 Barry Road, Campbellfield VIC 3061

INSTALLATION (CONT.)

5. FIX STRIKER BACK

Fix striker back brace with M5X12 as Fig. 12.

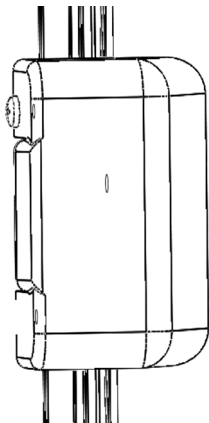
Figure 12.



6. FIX STRIKER COVER

Fix striker plastic cover as Fig. 13.

Figure 13.



7. INSTALL DOOR HOLDER

Install the “D” shaped door holder to the wall of the caravan.

8. REMOVE GLUE

Eliminate all glue material around the door.

NOTE:

- The door can not be used before it is fixed firmly.
- During travel, ensure that the door is in a lock state.
- Do not rotate the handle freely when the door is open. If you do that, the striker head will hit the striker when closing the door.

1300 663 868 | enquiries@aussietraveller.com.au | aussietraveller.com.au

BRISBANE SHOWROOM: 11-15 Oasis Court, Clontarf QLD 4019 | MELBOURNE SHOWROOM: 235 Barry Road, Campbellfield VIC 3061

WARRANTY STATEMENT

Aussie Traveller Pty Ltd ACN 642 775 460 (**Aussie Traveller**) offers the following warranty in relation to the products it supplies directly or through an authorised manufacturer, dealer or approved service repair agent (**Product**).

Australian Consumer Law

The benefits of this warranty are in addition to any rights and remedies imposed by Australian State and Federal legislation that cannot be excluded. Nothing in this warranty is to be interpreted as excluding, restricting or modifying any State or Federal legislation applicable to the supply of goods and services which cannot be excluded, restricted or modified.

If you are a consumer as defined in the Australian Consumer Law: *Our goods come with guarantees that cannot be excluded under the Australian Consumer Law. You are entitled to a replacement or refund for a major failure and compensation for any other reasonably foreseeable loss or damage. You are also entitled to have the goods repaired or replaced if the goods fail to be of acceptable quality and the failure does not amount to a major failure.*

Warranty

Aussie Traveller warrants that, subject to the exclusions and limitations below, all parts of the manufacture and assembly of the Product will be free from defects in materials and workmanship (**Warranty**) for a period of 12 months from the date of purchase as follows:

1. This Warranty is activated at the time of purchase by the final retail customer (being the owner of the Product).
2. In the event the Product is purchased by a manufacturer, dealer or approved service repair agent, this Warranty will commence at the time the final retail customer makes payment for the Product to the wholesale purchaser.
3. If the Product is purchased directly from Aussie Traveller for use by final retail customer and not to be on sold in any way, the Warranty will commence at the time of the original purchase.

Warranty Period

This Warranty cannot be assigned or transferred to a subsequent owner of the Product.

The purchaser or final retail customer should inspect the Product immediately when received or at vehicle handover, to ensure that it appears free from any damage or defect, and matches the description provided.

If after accepting the Product, a defect appears in the manufacture or assembly of the Product before the end of the Warranty Period and Aussie Traveller finds the Product to be defective in materials or workmanship, Aussie Traveller will, in its sole discretion, either:

- a. replace, repair or refund the Product or the defective part of the Product free of charge; or
- b. cause the Product or the defective part of the Product to be replaced or repaired by a qualified repairer free of charge.

In arranging Warranty inspection, service and repair, Aussie Traveller will seek to provide the details of an approved service agent within your geographic area. Should one not be available, or if the Product is in use in travel, Aussie Traveller reserves the right to seek to arrange a repair or replacement at the next available location on the route of travel.

Aussie Traveller reserves the right to replace defective parts of the Product with parts and components of similar quality, grade and composition where an identical part or component is not available.

Products presented for repair may be replaced by refurbished goods of the same type rather than being repaired. Refurbished parts may be used to repair the Product.

Aussie Traveller Awning Products

This Warranty covers specified defects in materials or workmanship for Awning Products as follows:

1. The vinyl fabric is warranted against:
 - a. holes caused by mildew (mildew will form on dust and dirt and stain fabric if fabric is not kept clean).
 - b. excessive cracking, peeling, hardening or loss of strength while used under normal conditions.
 - c. excessive fading (a slight colour change may occur due to ultraviolet rays).
2. All hardware components including the roller are warranted not to bend or break under normal use (excluding high winds, water pooling and accidents).

Making a Warranty Claim

If a defect covered by this Warranty appears, the Customer must first contact Aussie Traveller within 7 days of first becoming aware of the defect. Aussie Traveller will assist the Customer to rectify and resolve any Product issue that may arise.

When making a claim under this Warranty, Aussie Traveller requires that the following information be provided before any further action will be taken.

1. Original Invoice (Document or Number);
2. Make and model of the Product;
3. Make and model of the vehicle (if Product fitted);

4. Vehicle build date (if Product fitted);
5. Vehicle chassis number;
6. Description of damage and/or repair required;
7. Photos of the damage and/or repair; and
8. Appropriate documentation (such as historical and maintenance records).

Aussie Traveller reserves the right to request more information or images should what is provided not be sufficient to make an assessment for the Warranty claim.

The Product must be made available to Aussie Traveller or its authorised repair agent for inspection and testing. If such inspection and testing find no defect in the Product, the final retail customer must pay Aussie Traveller's usual costs of service work and testing.

The final retail customer must bear the cost of the transport of the Product to and from Aussie Traveller or the authorised repair agent, and all insurance of the Product.

Exclusions

This Warranty will not apply where:

- the Product has been repaired, altered or modified by someone other than Aussie Traveller, or without the written consent of Aussie Traveller or an authorised repair agent;
- the alleged defect in the Product is within acceptable industry tolerances and variances;
- Aussie Traveller cannot establish any fault in the Product after testing and inspection;
- the Product has been used other than for the purpose for which it was designed;
- the alleged defect in the Product has arisen due to the final retail customer's failure to properly use and maintain the Product in accordance with any of Aussie Traveller's instructions, recommendations and specifications (including applicable maintenance schedules);
- the alleged defect in the Product has arisen due to the final retail customer's request to customise the Product;
- the Product has been subject to abnormal conditions, including environment, temperature, high or excessive wind, water, fire, humidity, pressure, stress or similar;
- the alleged defect has arisen due to abuse, misuse, neglect or accident;
- unauthorised parts or accessories have been used on or in relation to the Product;
- the Product has been overloaded or involved in an accident;
- the alleged damage or defect has been caused by normal wear and tear;
- the alleged damage to fabric has been caused by storm, wind or rain, or stretching of fabric caused by water pooling on fabric;
- breakage or bending of hardware components has been caused by storm, wind or rain, or water pooling on fabric.

Replacement Warranty Item

If, under Warranty, a Product is replaced or repaired by Aussie Traveller or an Aussie Traveller agent, unless provided in writing to indicate otherwise, the replacement Product will carry the **remaining** Warranty terms and conditions, including length of time, of the original purchased Product.

Change of Mind

Aussie Traveller understands that at times, final retail customers may change their mind. Choose carefully as return and credit requests for items purchased by mistake or "change of mind" reasons may not be approved. Aussie Traveller will not accept Product returns under these circumstances unless by written approval by an authorized Aussie Traveller representative. If approved, an administration and restocking fee may apply.

Limitations

Aussie Traveller makes no express warranties or representations other than set out in this Warranty.

The repair or replacement of the Product or part of the Product is the absolute limit of Aussie Traveller's liability under this express Warranty.

Contact

Australia Wide: 1300 663 868

Melbourne Office

235 Barry Road
Campbellfield, Melbourne, 3061
Ph: +61 3 9357 6565
enquiries@aussietraveller.com.au

Brisbane Head Office, Factory & Showroom

11-15 Oasis Court
Clontarf, Brisbane, 4019
Ph: +61 7 3284 3284
enquiries@aussietraveller.com.au

To receive a copy of the Aussie Traveller Warranty Terms & Conditions or information regarding specific Aussie Traveller products, please contact Aussie Traveller Head Office on (07) 3284 3284 or email enquiries@aussietraveller.com.au.