

## READ ME !

Thank you for purchasing a Front Runner Toyota Tundra Crew Cab (2022-Current) Slimsport Rack Wind Fairing. Before you start, take a moment to familiarize yourself with the Fitting Instructions and the included components. Refer to Page 2 for a list of all the components, quantities and tools required.

## IMPORTANT WARNING!

IT IS CRITICAL THAT ALL FRONT RUNNER PRODUCTS BE PROPERLY AND SECURELY ASSEMBLED AND ATTACHED TO YOUR VEHICLE. IMPROPER ATTACHMENT COULD RESULT IN AN AUTOMOBILE ACCIDENT, AND COULD CAUSE SERIOUS BODILY INJURY OR DEATH. YOU ARE RESPONSIBLE FOR ASSEMBLING AND SECURING ALL FRONT RUNNER PRODUCTS TO YOUR VEHICLE, CHECKING THE ATTACHMENTS PRIOR TO USE, AND PERIODICALLY INSPECTING THE PRODUCTS FOR ADJUSTMENT, WEAR AND DAMAGE. THEREFORE, YOU MUST READ AND UNDERSTAND ALL OF THE INSTRUCTIONS AND PRECAUTIONS SUPPLIED WITH YOUR FRONT RUNNER PRODUCT PRIOR TO INSTALLATION OR USE. IF YOU DO NOT UNDERSTAND ALL OF THE INSTRUCTIONS AND CAUTIONS, OR IF YOU HAVE NO MECHANICAL EXPERIENCE AND ARE NOT THOROUGHLY FAMILIAR WITH THE INSTALLATION PROCEDURES, YOU SHOULD HAVE THE PRODUCT INSTALLED BY A PROFESSIONAL INSTALLER OR OTHER QUALIFIED PERSONNEL.

**NOTE:** Front Runner will not be responsible for any damage caused by the failure to install the product according to these instructions. Please call us if you have any questions about the installation of this product.



# 1 GET ORGANIZED

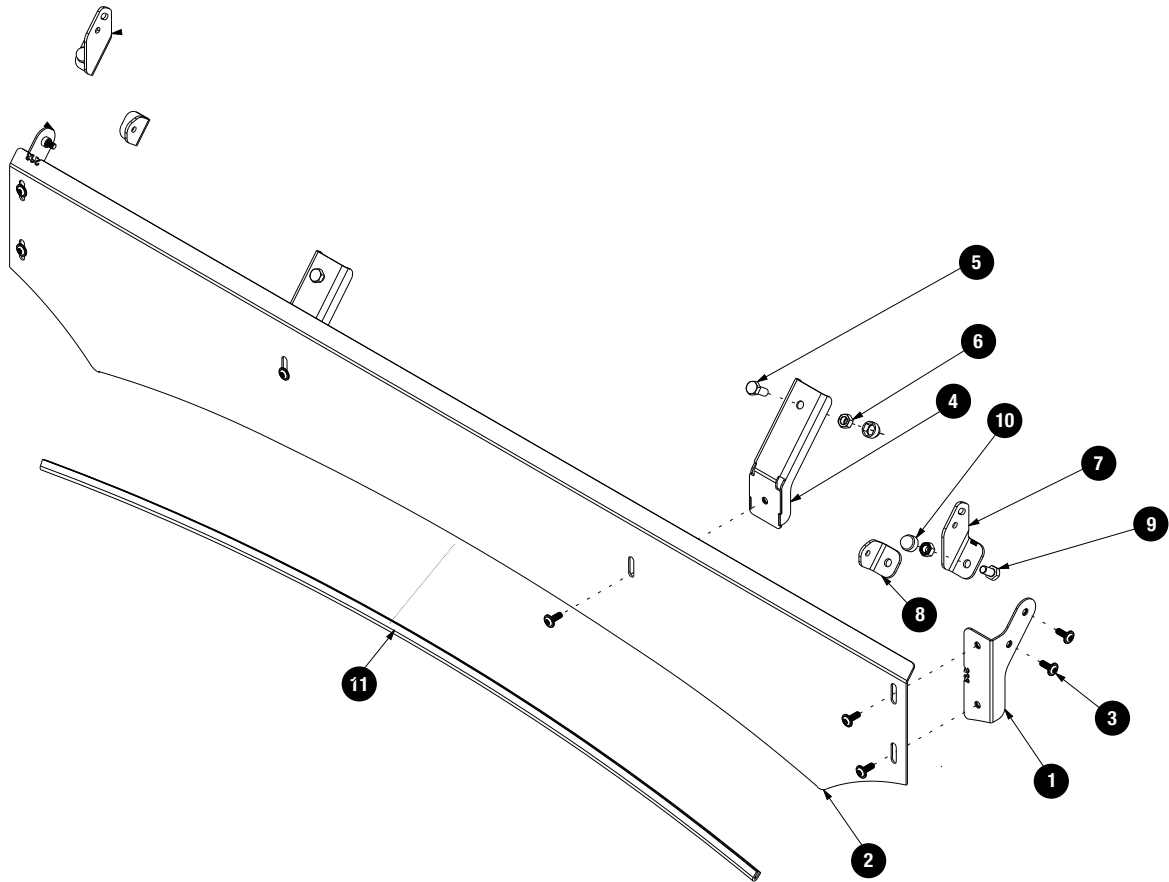
## IN THE BOX

- |    |      |  |
|----|------|--|
| 1  | 2 X  | Wind Firing Mounting Bracket ( 1LH + 1RH)  |
| 2  | 1 X  | Wind Fairing                               |
| 3  | 10 X | M6 x 16 Button Head Flange Bolt            |
| 4  | 2 X  | Center Support Bracket                     |
| 5  | 2 X  | M8 x 20 Hex Bolt                           |
| 6  | 4 X  | M8 Nyloc Nut                               |
| 7  | 2 X  | High Profile Light bar bracket (1LH + 1RH) |
| 8  | 2 X  | Low Profile light bar bracket (1LH + 1RH)  |
| 9  | 2 X  | M8 x 16 Hex Head Bolt                      |
| 10 | 2 X  | M8 Nut Cap                                 |
| 11 | 1 X  | Wind Faring Rubber (1050mm Long)           |

## TOOLS NEEDED



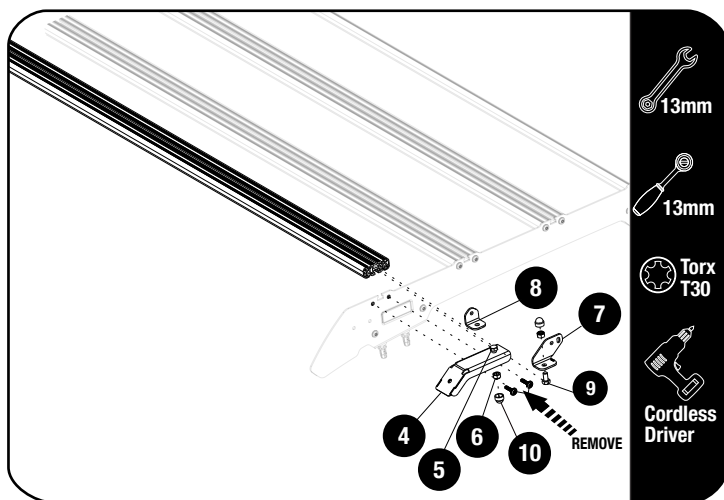
FIGURE 1.1



2

FIT AND SECURE

2.1



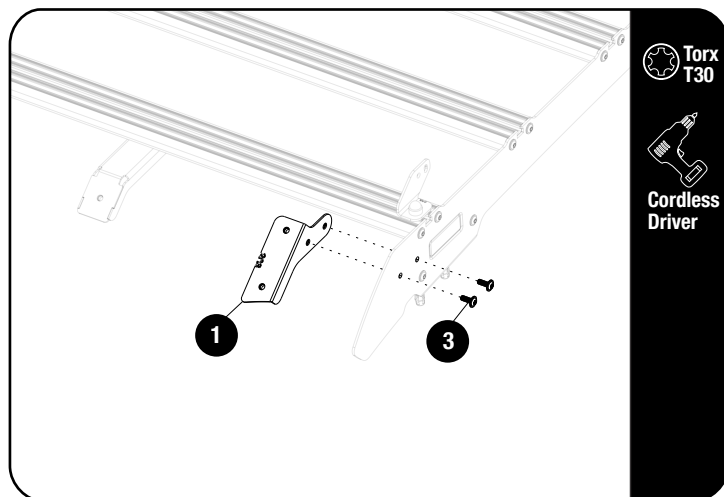
Start by removing the 2 x M6 x 25 Thread forming screws from the front slat as Indicated in 2.1.

Slide the 2 M8 x 20 Hex bolt (Item 5) into the bottom of the T-slot in the slat together with the 2 center support brackets (Item 4) and the M8 Nyloc Nut (Item 6). Slide the Brackets to center of the Roof Rack. DO NOT TIGHTEN.

Fit the Light Bar Bracket 01 LH / RH (Item 7) for the 40" Light Bar, using M8 x 16 Hex Bolt & M8 Nyloc Nut (Items 6 & 9). Fit the light bar and center it on the slat before fully tightening the brackets.

Refit the Slat that was removed.

2.2

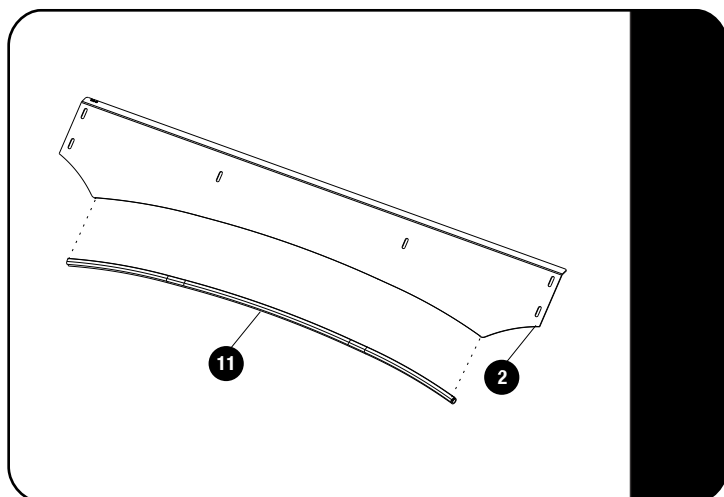


Fit the Side mounting brackets (LH / RH) (Item1) using M6 x 16 Button Head Flange Bolt (Item 3) and fully tighten.



**Tightening Torque 8-10Nm / 5.9 ft lb - 7.38 ft lb.**

2.3

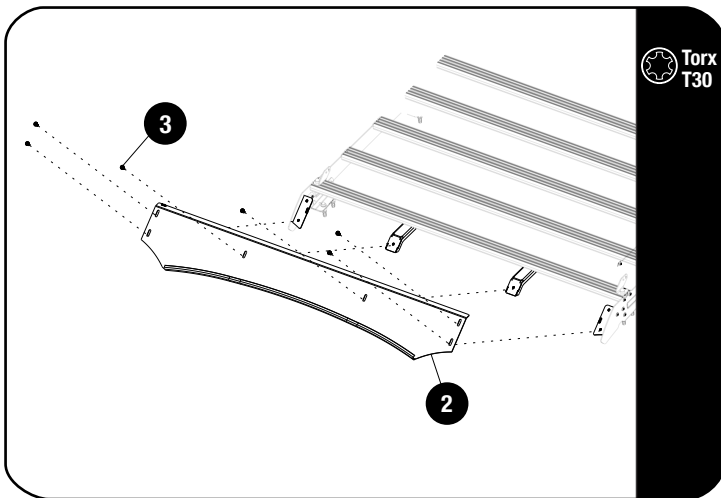


Before moving to the next step make sure that the Wind Fairing rubber (Item 11) is fitted to the Wind Fairing (Item 2).

2

## FIT AND SECURE

2.4

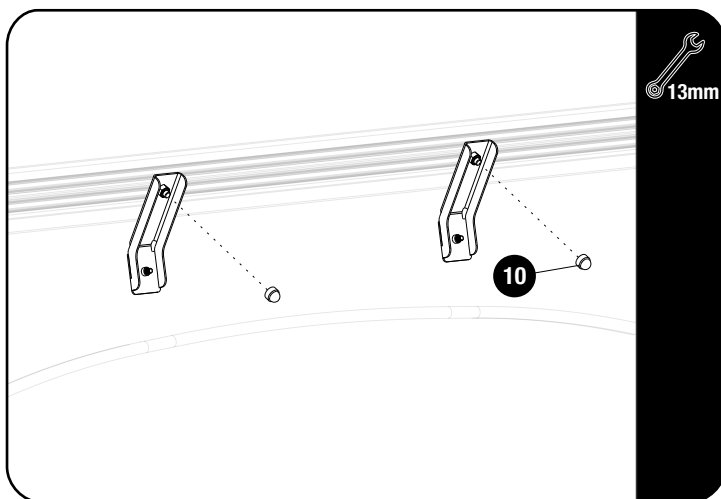


Fit the Wind Fairing (Item 2) to the mounting brackets using the M6 x 16 Button Head Flange Bolt (Item 3) and fully tighten.



**Tightening Torque 8-10Nm / 5.9 ft lb - 7.38 ft lb.**

2.5



Fully tighten the M8 Nyloc Nuts Fitted in Step 2.1 and place the M8 Nut Caps (Item 10) onto the M8 Nyloc Nuts.



**Tightening Torque:**

**M8 : 15-20Nm / 11.06 ft lb - 14.75 ft lb**

3

## FINISH

Congratulations! You did it. Take a step back and admire your work!

4

## INSTALL OTHER VEHICLE AND RACK ACCESSORIES

Now's the time to visit your favorite Front Runner Dealer in person or online.

Be sure to tag us. We love to see our gear in action! #FrontRunnerOutfitters #BornToRoam

Share your adventures on:

