

# START HERE!

## READ ME FIRST

Don't be a hero and muscle through this installation without reading these fitting instructions first! Improper installation of this gear may void certain aspects of your warranty.

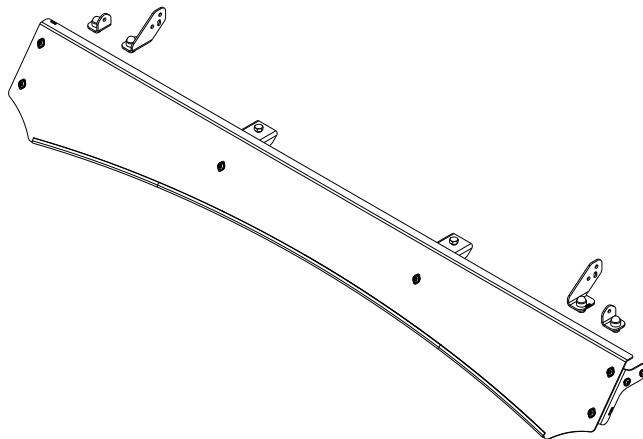
Before you begin, take a moment and open all your Front Runner rack kit boxes and gather the assembly instructions for the various components.

A complete kit will contain:

1. A Front Runner Mounting System specific to your vehicle
2. A Front Runner Rack Tray or Load Bar Slats

This document will guide you through the assembly of the mounting system and assist you in fitting the roof rack tray or load bars to your specific vehicle.

Please refer to the next page for a list of all the components, quantities and tools required.



### IMPORTANT WARNING!

IT IS CRITICAL THAT ALL FRONT RUNNER PRODUCTS BE PROPERLY AND SECURELY ASSEMBLED AND ATTACHED TO YOUR VEHICLE. IMPROPER ATTACHMENT COULD RESULT IN AN AUTOMOBILE ACCIDENT, AND COULD CAUSE SERIOUS BODILY INJURY OR DEATH. YOU ARE RESPONSIBLE FOR ASSEMBLING AND SECURING ALL FRONT RUNNER PRODUCTS TO YOUR VEHICLE, CHECKING THE ATTACHMENTS PRIOR TO USE, AND PERIODICALLY INSPECTING THE PRODUCTS FOR ADJUSTMENT, WEAR AND DAMAGE. THEREFORE, YOU MUST READ AND UNDERSTAND ALL OF THE INSTRUCTIONS AND PRECAUTIONS SUPPLIED WITH YOUR FRONT RUNNER PRODUCT PRIOR TO INSTALLATION OR USE. IF YOU DO NOT UNDERSTAND ALL OF THE INSTRUCTIONS AND CAUTIONS, OR IF YOU HAVE NO MECHANICAL EXPERIENCE AND ARE NOT THOROUGHLY FAMILIAR WITH THE INSTALLATION PROCEDURES, YOU SHOULD HAVE THE PRODUCT INSTALLED BY A PROFESSIONAL INSTALLER OR OTHER QUALIFIED PERSONNEL.

**NOTE:** Front Runner will not be responsible for any damage caused by the failure to install the product according to these instructions.

Please call us if you have any questions about the installation of this product.



# 1 GET ORGANIZED

## IN THE BOX

1	2 X	Side Bracket 1 LH / 1 RH
2	1 X	Wind Fairing
3	10 X	M6 x 16 Flange Button Head Bolt
4	2 X	Centre Bracket
5	2 X	Light Bar Bracket High Profile
6	2 X	Light Bar Bracket Low Profile
7	6 X	M8 x 16 Hex Bolt
8	6 X	M8 Nyloc Nut
9	6 X	M8 Nut Cap
10	1 X	Rubber Seal

## TOOLS NEEDED



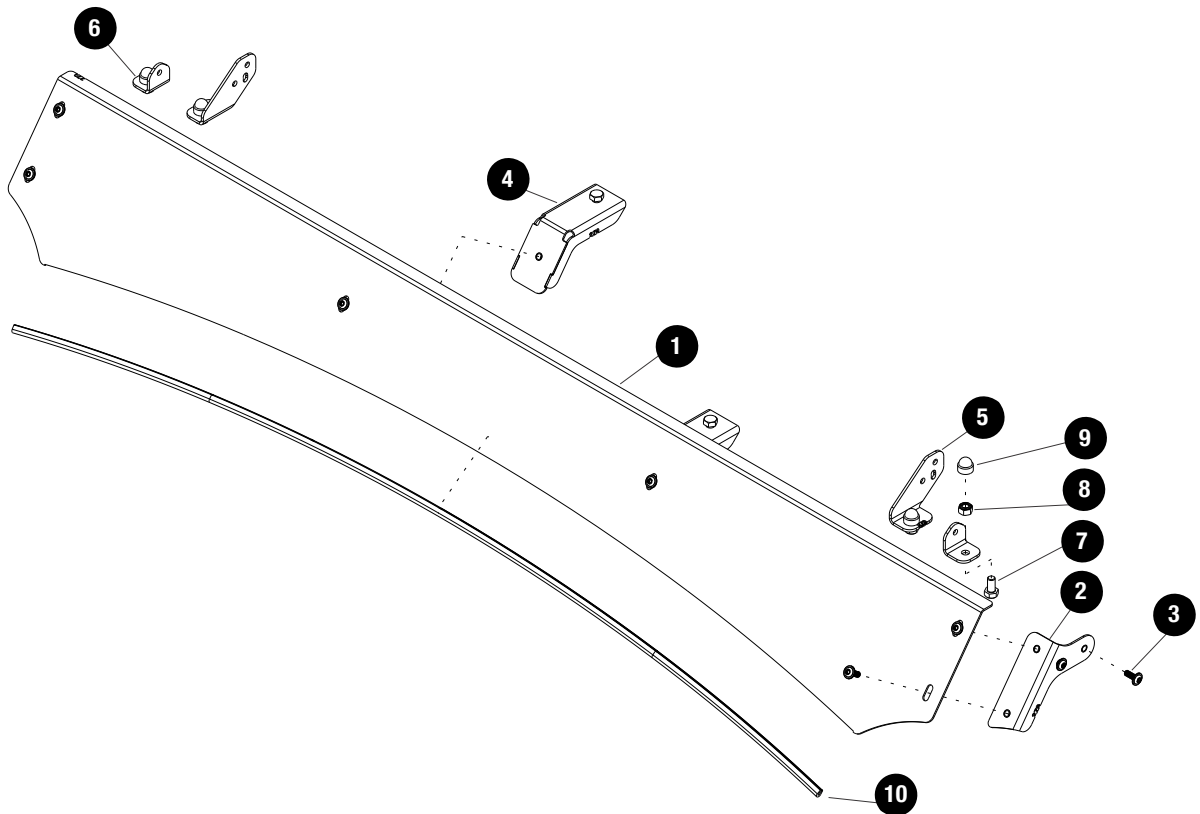
Torx T30



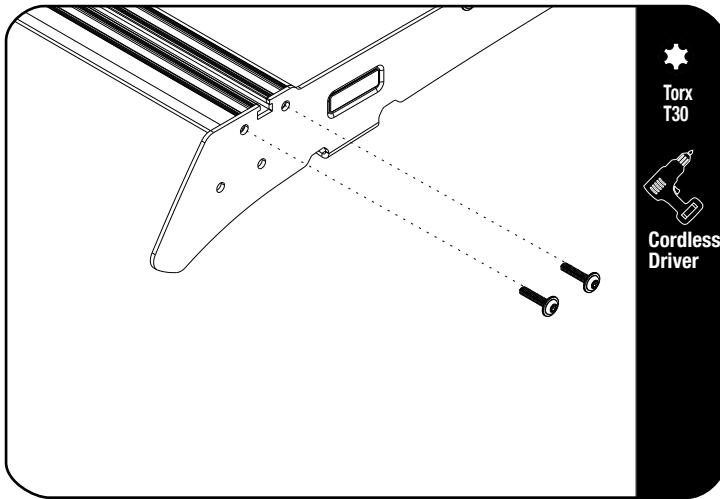
13mm



Cordless Driver



2.1



Start by undoing the bolts on the front of the Roof rack holding the front slat in place using a T30 Torque bit.

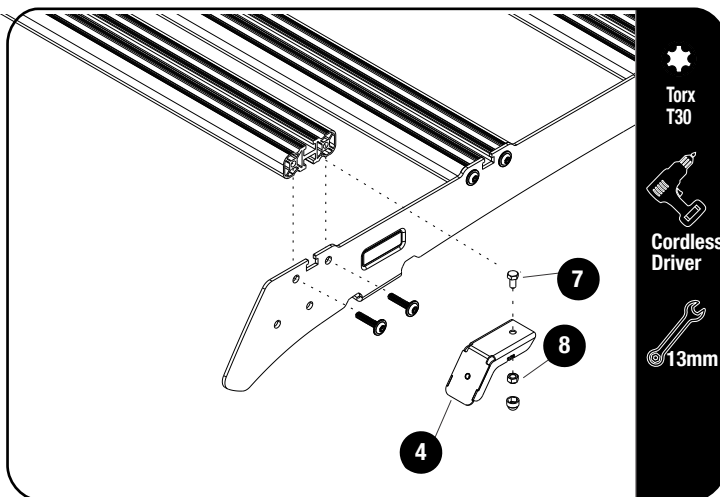
Remove the front slat.

Torx  
T30



Cordless  
Driver

2.2



Slide the M8 x 16 Hex Bolt (Item 7) into the slat as shown.

Place the Wind Fairing Center Support Bracket (Item 4) over the M8 x 16 Hex Bolt (Item 7) with the M8 Nyloc Nut (Item 8).

Repeat with the second Centre Support Bracket, Hex Bolt and Nyloc Nut.

DO NOT FULLY TIGHTEN.

Slide the Wind Fairing Center Support Brackets to be equal distances from the center of the slat, corresponding with the inner slots of the Wind Fairing.

Refit the Slat to the Roof Rack and tighten the side with T30 Torx.

Torx  
T30

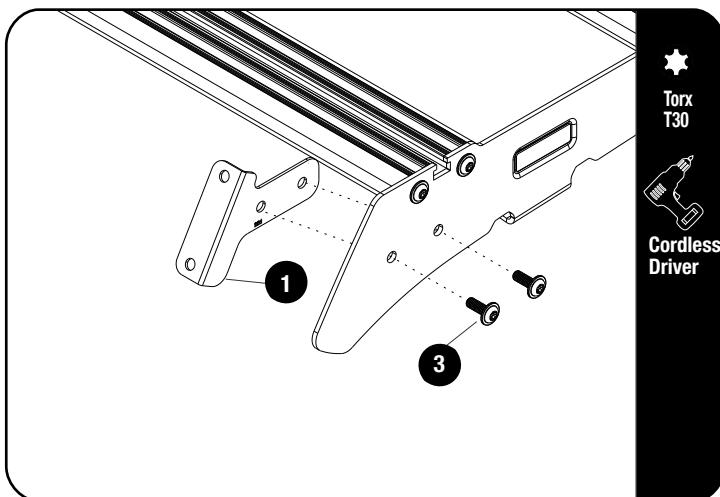


Cordless  
Driver



13mm

2.3



Assemble the Wind Fairing Side Bracket (Item 1) Left and Right side with the M6 x 16 Button Head Flange Bolt (Item 3) as shown.



**Tightening Torque:**

M8 : 15-20Nm / 11.06 ft lb - 14.75 ft lb

Torx  
T30

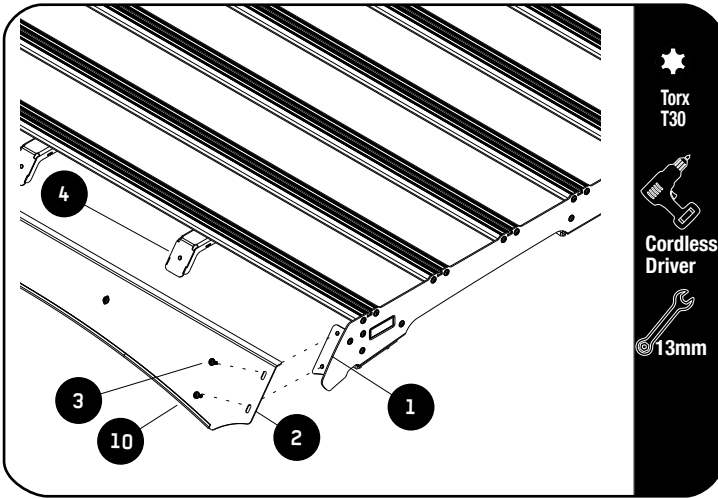


Cordless  
Driver

2

**FIT AND SECURE**

2.4



Assemble the Wind Fairing and Wind Fairing Rubber Seal (Item 2 & 10)

Fasten the above mentioned assembly to the Support Brackets (Item 4 & 1) with the M6 x 16 Button Head Flange Bolts (Item 3) using a T30 Torx as shown.

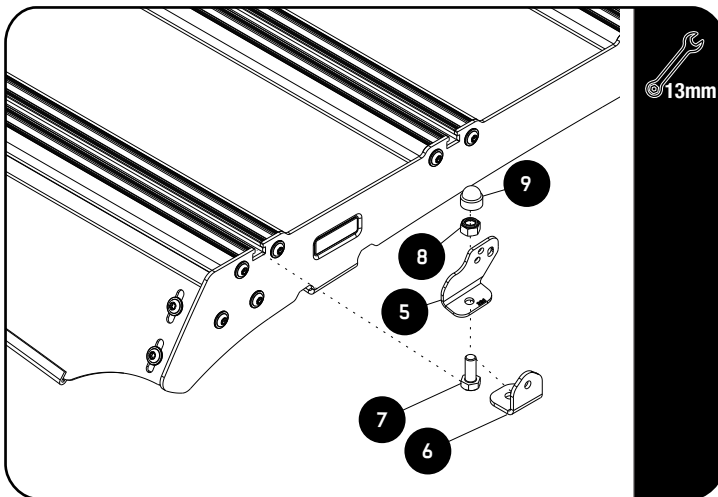
Fully tighten the M8 Nyloc Nut that was inserted in 2.2.



**Tightening Torque:**

M6 : 8-10Nm / 5.9 ft lb - 7.38 ft lb

2.5



If you would want to fit a Light Bar with the Wind Fairing Slide the M8 x 20 Hex bolt (Item 7) into the Front Slat that was removed in 2.1 as shown, with the Light Bar Bracket 01 (Item 5) assembled together with the M8 Nyloc Nut (Item 8) as shown and fully tighten.

Do the same as above with Light Bar Bracket 02 (Item 6)

Place the M8 Nut Caps over the M8 Nyloc Nut (Item 9)

Do the same on the opposite side.



**Tightening Torque:**

M6 : 8-10Nm / 5.9 ft lb - 7.38 ft lb

3

## COMPLETION

3.1

Congratulations! You did it. Take a step back and admire your work!



4

## INSTALL OTHER VEHICLE AND RACK ACCESSORIES

Now's the time to visit your favorite Front Runner dealer in person or online.

### IMPORTANT!

FRONT RUNNER RACK KITS OFTEN HAVE A HIGHER LOAD RATING THAN THE VEHICLES THEY ARE MOUNTED TO. PLEASE REFER TO YOUR SPECIFIC VEHICLE MANUFACTURER FOR A RECOMMENDED ROOF RATING. FRONT RUNNER CANNOT BE RESPONSIBLE FOR IMPROPER LOADING BEYOND THE VEHICLE MANUFACTURER'S STATED LOAD CAPACITY.

Be sure to tag us. We love to see our gear in action! #FrontRunnerOutfitters #BornToRoam

Share your adventures on: 