

START HERE!

READ ME FIRST

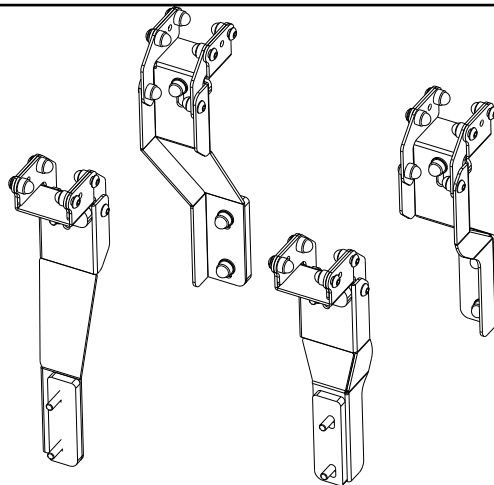
Don't be a hero and muscle through this installation without reading these fitting instructions first! Improper installation of this gear may void certain aspects of your warranty.

Before you begin, take a moment and open all your Front Runner Rack Kit boxes and gather the assembly instructions for the various components.

A complete kit will contain:

1. Front Runner Mounting System specific to your vehicle
2. Front Runner Rack Tray or Load Bar Slats

This document will guide you through the assembly of the Mounting System and assist you in fitting the Rack tray or Load Bars to your specific vehicle. Please refer to the next page for a list of all the components, quantities and tools required.



IMPORTANT WARNING! ⚠

IT IS CRITICAL THAT ALL FRONT RUNNER PRODUCTS BE PROPERLY AND SECURELY ASSEMBLED AND ATTACHED TO YOUR VEHICLE. IMPROPER ATTACHMENT COULD RESULT IN AN AUTOMOBILE ACCIDENT, AND COULD CAUSE SERIOUS BODILY INJURY OR DEATH. YOU ARE RESPONSIBLE FOR ASSEMBLING AND SECURING ALL FRONT RUNNER PRODUCTS TO YOUR VEHICLE, CHECKING THE ATTACHMENTS PRIOR TO USE, AND PERIODICALLY INSPECTING THE PRODUCTS FOR ADJUSTMENT, WEAR AND DAMAGE. THEREFORE, YOU MUST READ AND UNDERSTAND ALL OF THE INSTRUCTIONS AND PRECAUTIONS SUPPLIED WITH YOUR FRONT RUNNER PRODUCT PRIOR TO INSTALLATION OR USE. IF YOU DO NOT UNDERSTAND ALL OF THE INSTRUCTIONS AND CAUTIONS, OR IF YOU HAVE NO MECHANICAL EXPERIENCE AND ARE NOT THOROUGHLY FAMILIAR WITH THE INSTALLATION PROCEDURES, YOU SHOULD HAVE THE PRODUCT INSTALLED BY A PROFESSIONAL INSTALLER OR OTHER QUALIFIED PERSONNEL.

NOTE: Front Runner will not be responsible for any damage caused by the failure to install the product according to these instructions.

Please call us if you have any questions about the installation of this product.



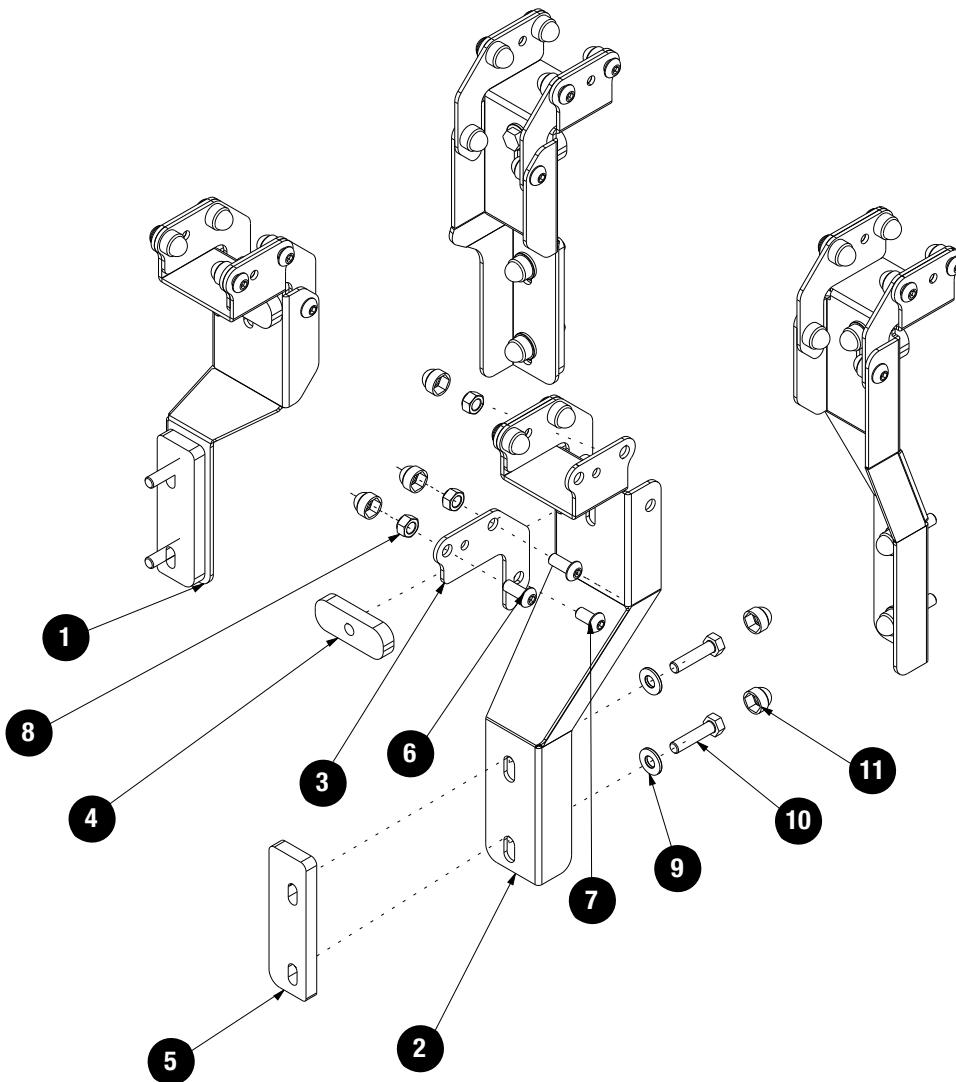
1 GET ORGANIZED

IN THE BOX

PBTH001

1	2 X	FRONT MOUNTING BRACKET LH & RH
2	2 X	REAR MOUNTING BRACKET LH & RH
3	8 X	MOUNTING BRACKET GUSSET
4	4 X	10mm SPACER SMALL
5	4 X	10MM SPACER LARGE
6	16 X	M8 X 20 BUTTON HEAD SCREW
7	8 X	M8 X 16 BUTTON HEAD SCREW
8	28 X	M8 NYLOC NUT
9	16 X	M8 x 19 x 2 SS FLAT WASHER
10	12 X	M8 X 35 HEX BOLT
11	36 X	M8 NUT CAP

TOOLS NEEDED





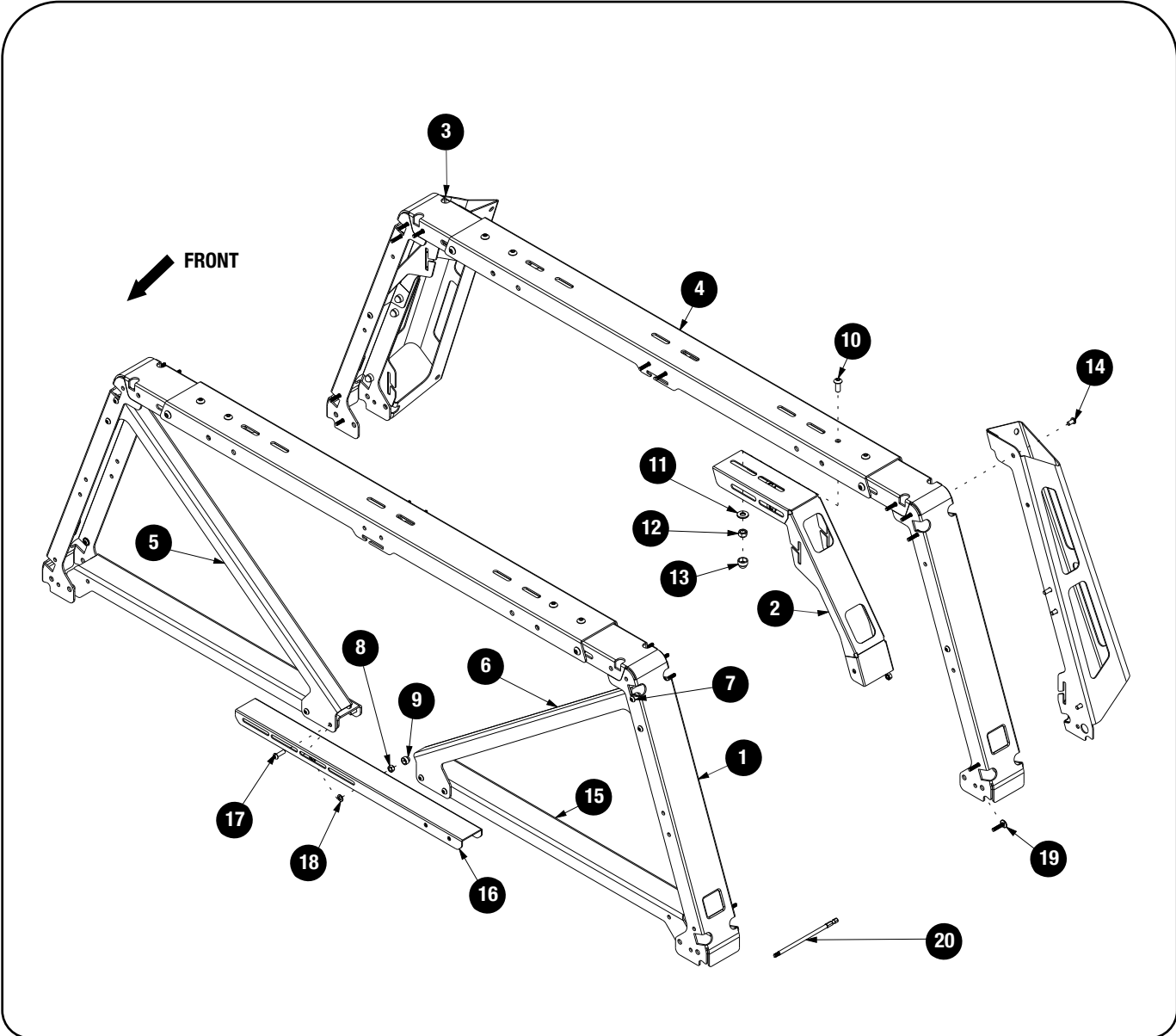
1 GET ORGANIZED

IN THE BOX		PBRA001
1	4 X	PRO BED RACK LEG
2	2 X	PRO BED RACK REAR BRACE
3	2 X	PRO BED RACK RH REAR WING BRACKET
4	2 X	PRO BED RACK TOP TRUSS
5	1 X	PRO BED RACK RH FRONT DIAGONAL BRACE
6	1 X	PRO BED RACK LH FRONT DIAGONAL BRACE
7	12 X	M6 x 16 BUTTON HEAD SCREW
8	24 X	M6 NYLOC NUT
9	22 X	M6 NUT CAP
10	16 X	M8 x 20 BUTTON HEAD SCREW
11	16 X	M8 x 19 x 2 FLAT WASHER
12	16 X	M8 NYLOC NUT
13	16 X	M8 NUT CAP

IN THE BOX		PBRA001
14	6 X	M6 x 12 BUTTON HEAD SCREW
15	2 X	FRONT HORIZONTAL BRACE
16	1 X	FRONT CENTER BRACE
17	4 X	M6 x 20 BUTTON HEAD SCREW
18	9 X	M6 x 12 x 1 FLAT WASHER
19	24 X	M6 x 25 THREAD FORMING SCREW
20	1 X	T30 6" TORX BIT

TOOLS NEEDED

13mm 10mm
5mm 4mm
Torx T30
Oil or Anti Seize





1

GET ORGANIZED

IN THE BOX

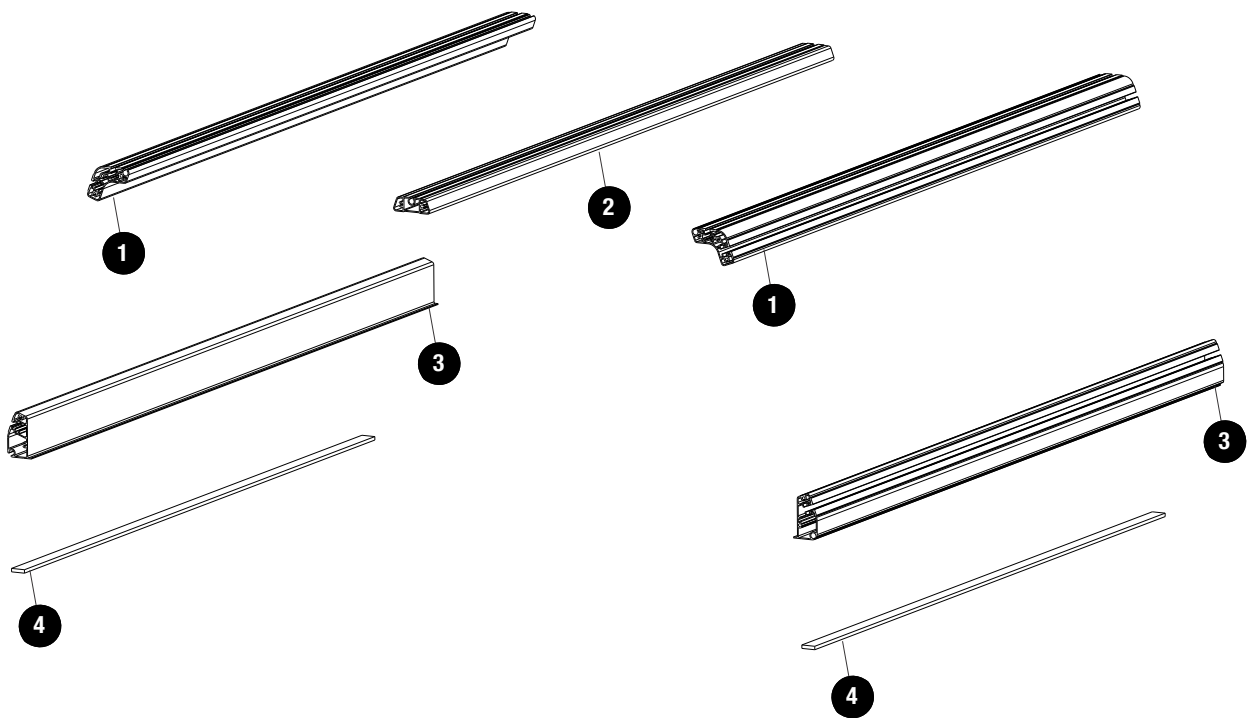
PBAL_1450

1	2 X	TOP EXTRUSION
2	1 X	TOP MIDDLE EXTRUSION
3	2 X	BOTTOM EXTRUSION
4	2 X	1450mm PSA STRIP PE60

TOOLS NEEDED



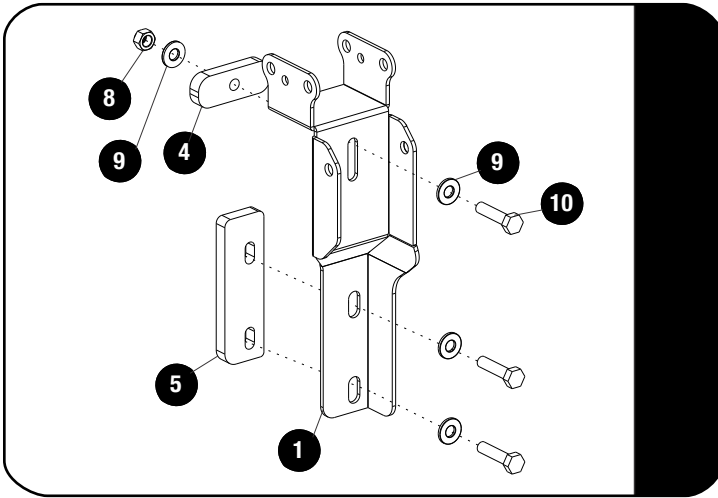
Friend



2

FIT AND SECURE

2.1



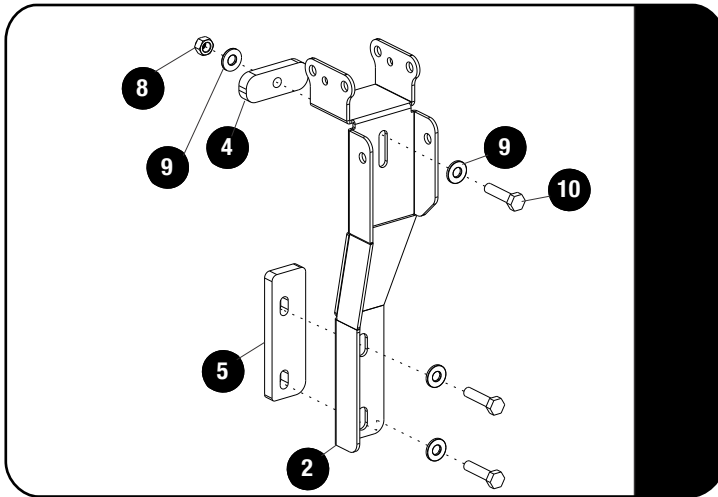
Remove the factory fitted bolts in the side of the load bin holding the anker hook.

Loosly assemble the Front Mount Brackets (item 1) using the M8x35 Hex Bolt and M8 x 19 x 2 flat washer (Item 9 & 10) in the bottom two holes in the bracket. **DO NOT TIGHTEN.**

Using a marking pen, mark the top hole. Remove the bracket from the load bin and drill the hole marked with a 4mm as a pilot hole open the hole to a 9mm. Do this on the left and right side.

Do not refit the bracket at this stage.

2.2



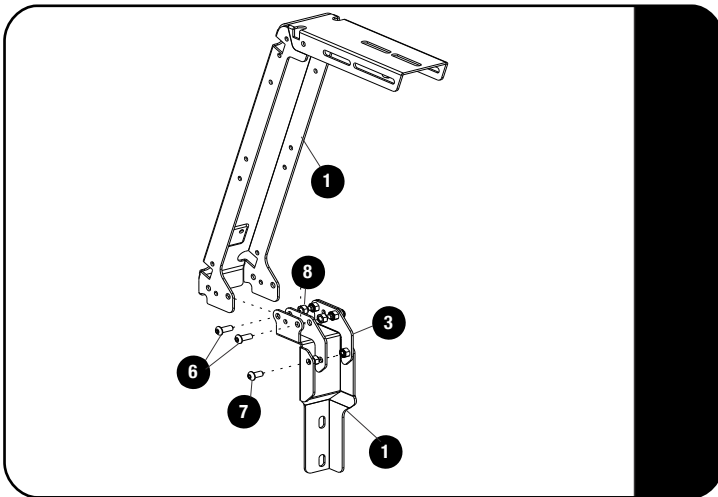
Remove the factory fitted bolts in the side of the load bin holding the anker hook.

Loosly assemble the Rear Mount Brackets (item 2) using the M8x35 Hex Bolt and M8 x 19 x 2 flat washer (Item 9 & 10) in the bottom two holes in the bracket. **DO NOT TIGHTEN.**

Using a marking pen, mark the top hole. Remove the bracket from the load bin and drill the hole marked with a 4mm as a pilot hole open the hole to a 9mm. Do this on the left and right side.

Do not refit the bracket at this stage.

2.3

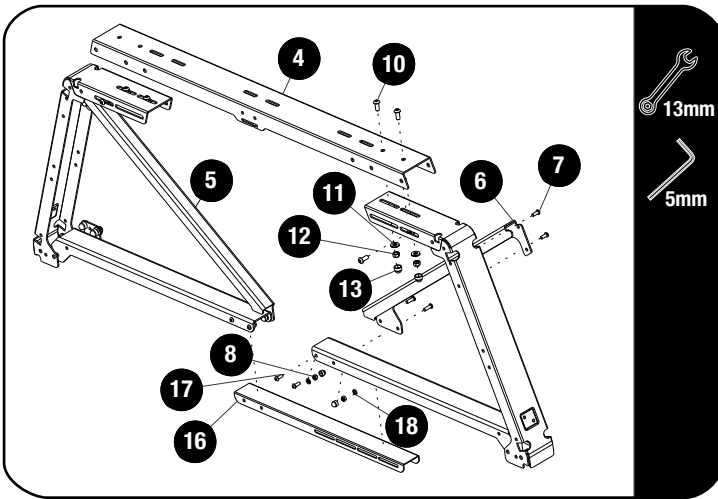


Assemble the Pro Bed Leg (Item 1) on page 3 and the Front Mounting Bracket (Item 1) to using M8 x 20 Button head bolts and M8 nyloc nuts (Item 6 & 8) as shown and M8 x 16 Button head bolts and M8 nyloc nuts (Item 7 & 8).

Do this on the Left and Right Side.

DO NOT TIGHTEN.

2.4



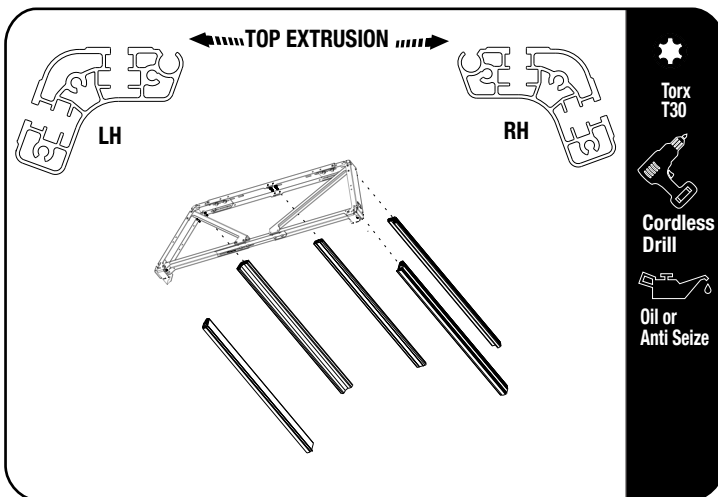
Assemble the Front diagonal and Horizontal Brace parts as shown (Item 4, 5 & 6) to the legs fitted in 2.2 using the M8 x 20 Button head bolts M8 x 19 x 2 flat washer and M8 nyloc nuts (Item 10, 11 & 12).

DO NOT FULLY TIGHTEN.

Use the M6 x 20 Button Head bolts M6 x 12 x 1 Flat Washer and M6 Nyloc Nut (Item 8, 17 & 18) to fit the Front Center Brace to the LH and RH Front Horizontal Braces (Item 16).

DO NOT FULLY TIGHTEN.

2.5



Slide the front leg and truss assembly backward to allow access for securing the extrusions.



Take note of extrusion orientation !

Using the supplied 6" T30 torx bit and a cordless driver assemble the extrusion using the M6x25 thread forming screws (Item 19). Use a slow and constant speed when using the cordless driver.

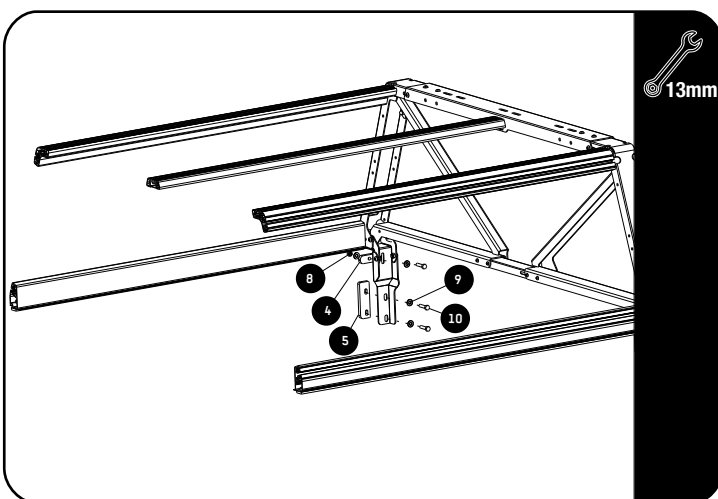


Use a little anti seize or oil on screw threads before inserting. Note these are Thread Forming Screws.



Tightening Torque 6-10Nm / 18.4 ft lbs

2.6



With the help of a friend lift the Pro bed rack on to the load bin and loosely fit the M8 x 35 and M8 x 19 x 2 Flat washer into the OEM mounting points together with the 10mm large spacer (Item 5, 9 & 10). **DO NOT FULLY TIGHTEN.**

Insert the M8 x 35 Hex bolt and M8 x 19 x 2 Flat washer into the top hole in the bracket and place the 10mm small spacer behind the lip of the load bin. Use the M8 x 19 x 2 Flat washer and M8 Nyloc Nut to secure in place. do this on both sides.

Fully Tighten all the M8 x 35 Hex Bolts.



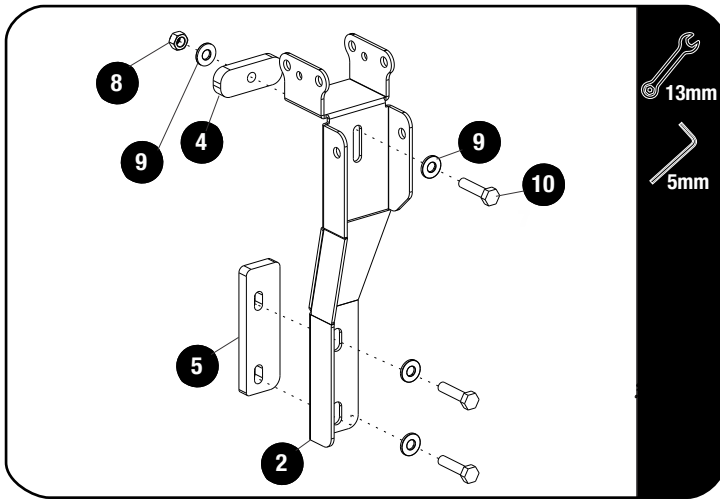
Tightening Torque:

M8 : 15-20Nm / 11.06 ft lb - 14.75 ft lb

2

FIT AND SECURE

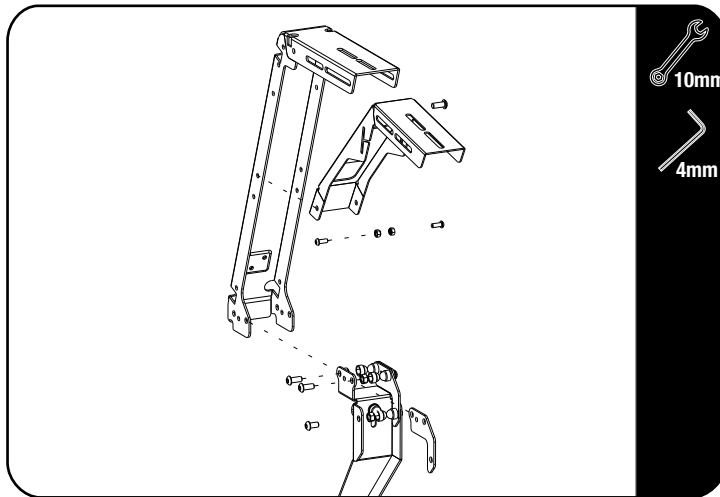
2.7



Loosely assemble the Rear Mount Brackets (item 2) using the M8x35 Hex Bolt and M8 x 19 x 2 flat washer (Item 9 & 10) in the bottom two holes in the bracket. **DO NOT TIGHTEN.**

Insert the M8 x 35 Hex bolt and M8 x 19 x 2 Flat washer into the top hole in the bracket and place the 10mm small spacer behind the lip of the load bin. Use the M8 x 19 x 2 Flat washer and M8 Nyloc Nut to secure in place. do this on both sides.

2.8



Fit the Rear Brace (Item 2) using the M6x12 button head screws and M6 Nyloc nuts (Item 14 & 8).

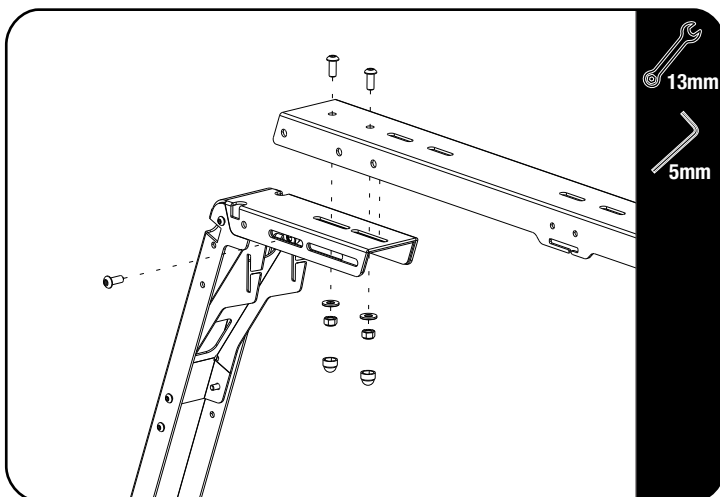
Fully tighten and place M6 Nut caps (Item 9) on the M6 Nyloc Nuts.



Tightening Torque:

M6 : 8-10Nm / 5.9 ft lb - 7.38 ft lb

2.9



Loosely assemble the rear top truss using the M8x20 Button head screws, M8x19x2 Flat washer and M8 Nyloc Nuts (Item 10,11&12). Fully tighten the M8 Button Heads and place M8 Nut Caps on the M8 Nyloc Nuts (Item 13).



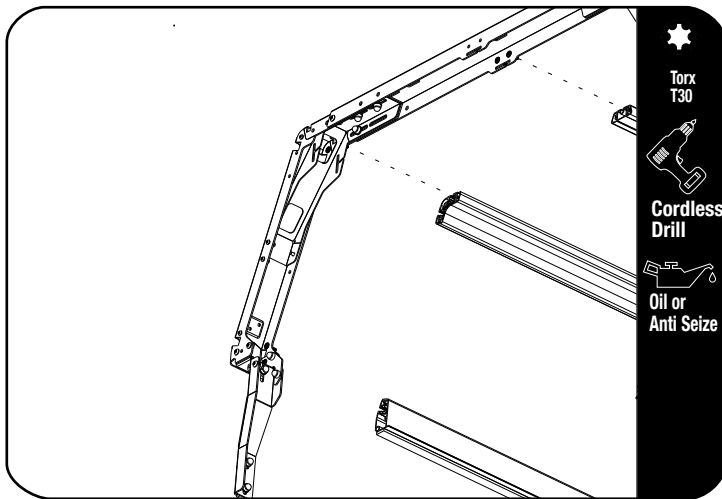
Tightening Torque:

M8 : 15-20Nm / 11.06 ft lb - 14.75 ft lb

2

FIT AND SECURE

2.10

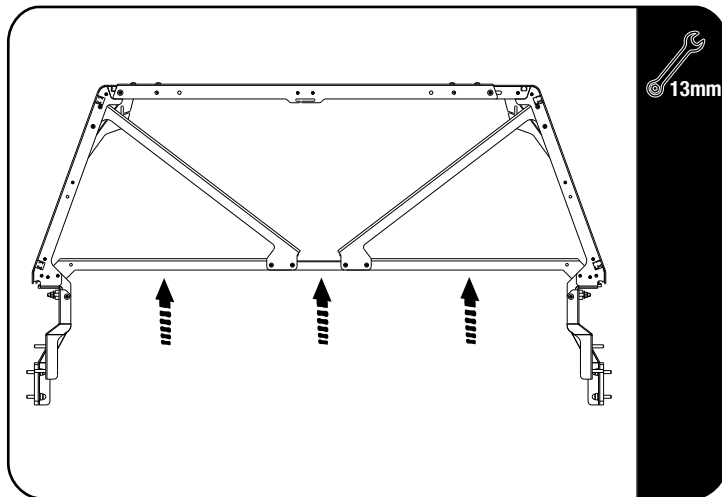


↻ Pull the front leg / truss / extrusion assembly toward the rear legs. Attach the rear leg assembly to the Extrusions using the M6x25 thread forming screws (Item 19) and a cordless driver. The front assembly will be pulled back into its final position while fully tightening these screws.

⚠ Use a little anti seize or oil on screw threads before inserting. Note these are Thread Forming Screws.

⚠ Tightening Torque 6-10Nm / 18.4 ft lbs

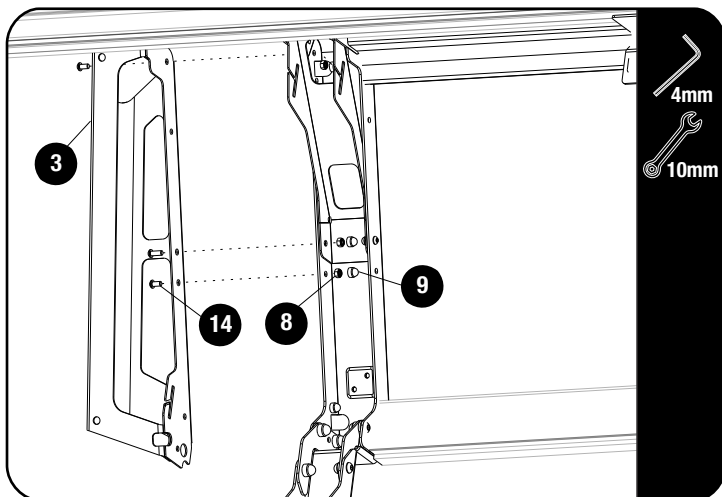
2.11



↻ Using clamps and a spirit level clamp the spirit level to the inside of the Front Center Brace and Tighten the M6x20 Button head screws and M6 Nyloc Nuts fitted in 2.3. Place M6 Nut caps on the M6 Nyloc Nuts.

⚠ Tightening Torque:
M8 : 15-20Nm / 11.06 ft lb - 14.75 ft lb

2.12



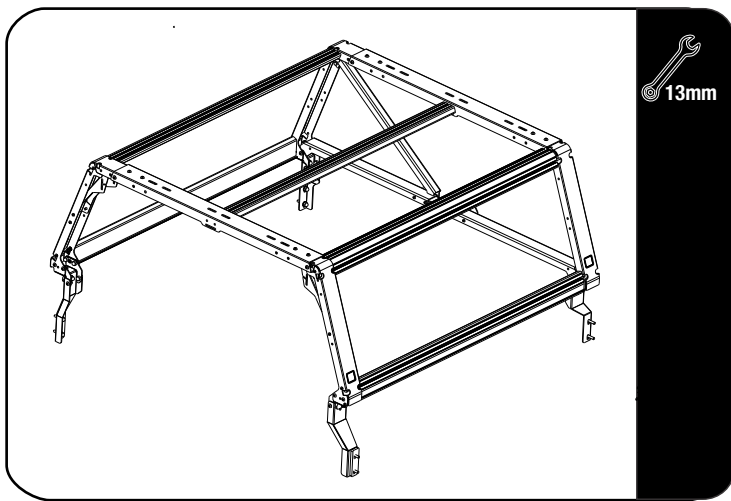
↻ Assemble the Rear Wing Brackets (Item 3) using the M6x12 Button head screws and M6 Nyloc Nuts (Item 14 & 8).

Place the M6 Nut caps (Item 9) over the nyloc nuts.

2

FIT AND SECURE

2.13



Fully tighten all the bolts and nuts and place nut caps where needed.

6

COMPLETION

6.1

Congratulations! You did it. Take a step back and admire your work!



7

INSTALL OTHER VEHICLE AND RACK ACCESSORIES

Now's the time to visit your favorite Front Runner dealer in person or online.

IMPORTANT!

FRONT RUNNER RACK KITS OFTEN HAVE A HIGHER LOAD RATING THAN THE VEHICLES THEY ARE MOUNTED TO. PLEASE REFER TO YOUR SPECIFIC VEHICLE MANUFACTURER FOR A RECOMMENDED ROOF RATING. FRONT RUNNER CANNOT BE RESPONSIBLE FOR IMPROPER LOADING BEYOND THE VEHICLE MANUFACTURER'S STATED LOAD CAPACITY.

Be sure to tag us. We love to see our gear in action! #FrontRunnerOutfitters #BornToRoam

Share your adventures on: 