

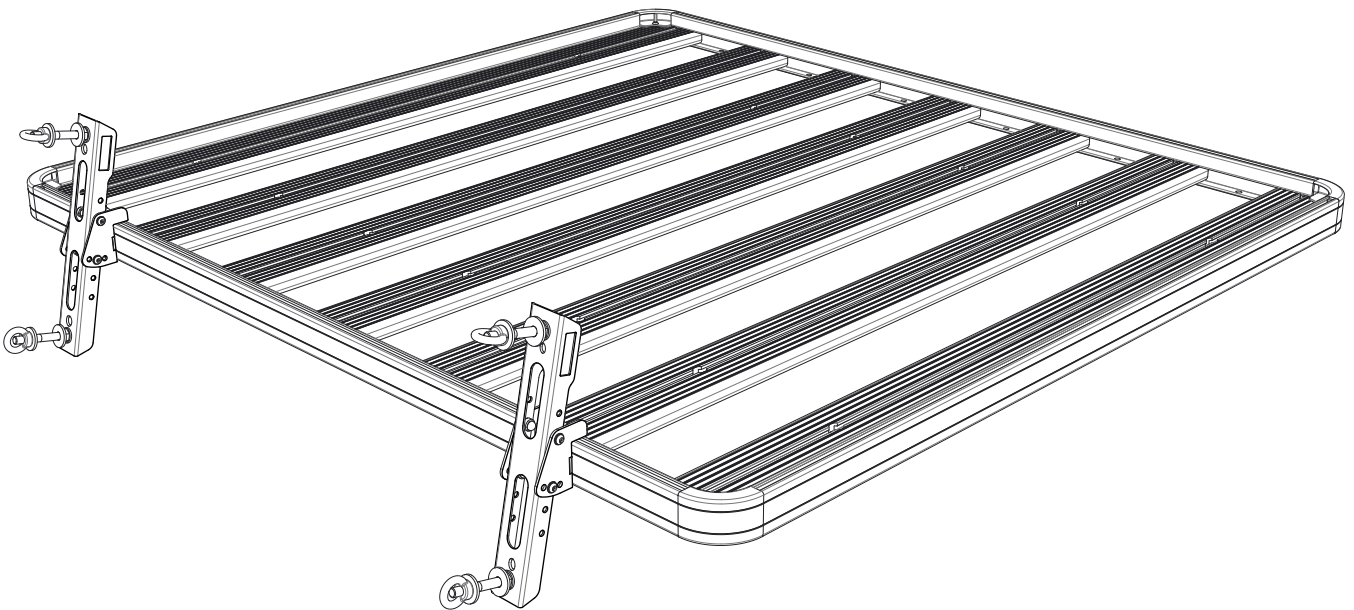


**FRONT RUNNER**  
VEHICLE OUTFITTERS

## RECOVERY DEVICE & GEAR HOLDING SIDE BRACKETS

ENG

RRAC103



### READ ME !

Thank you for purchasing a Front Runner MaxTrax Bracket.

Before you start, take a moment to familiarize yourself with the Fitting Instructions and the components received.

Refer to Page 2 for a list of all the components, quantities and tools required.

### IMPORTANT WARNING!

IT IS CRITICAL THAT ALL FRONT RUNNER PRODUCTS BE PROPERLY AND SECURELY ASSEMBLED AND ATTACHED TO YOUR VEHICLE. IMPROPER ATTACHMENT COULD RESULT IN AN AUTOMOBILE ACCIDENT, AND COULD CAUSE SERIOUS BODILY INJURY OR DEATH. YOU ARE RESPONSIBLE FOR ASSEMBLING AND SECURING ALL FRONT RUNNER PRODUCTS TO YOUR VEHICLE, CHECKING THE ATTACHMENTS PRIOR TO USE, AND PERIODICALLY INSPECTING THE PRODUCTS FOR ADJUSTMENT, WEAR AND DAMAGE. THEREFORE, YOU MUST READ AND UNDERSTAND ALL OF THE INSTRUCTIONS AND PRECAUTIONS SUPPLIED WITH YOUR FRONT RUNNER PRODUCT PRIOR TO INSTALLATION OR USE. IF YOU DO NOT UNDERSTAND ALL OF THE INSTRUCTIONS AND CAUTIONS, OR IF YOU HAVE NO MECHANICAL EXPERIENCE AND ARE NOT THOROUGHLY FAMILIAR WITH THE INSTALLATION PROCEDURES, YOU SHOULD HAVE THE PRODUCT INSTALLED BY A PROFESSIONAL INSTALLER OR OTHER QUALIFIED PERSONNEL.

**NOTE:** Front Runner will not be responsible for any damage caused by the failure to install the product according to these instructions.

Please call us if you have any questions about the installation of this product.

# 1

## GET ORGANIZED

Here is what you are looking at for RRAC103

### IN THE BOX

1	4 X	M10 Painted Eye Nut
2	8 X	M10x30x3 Stainless Steel Flat Washer
3	4 X	M10 Nyloc Hex Nut
4	8 X	M10x21x1 Stainless Steel Flat Washer
5	2 X	MaxTrax Brackets
6	4 X	M8x20 Button Head Bolt
7	5 X	M8 Nyloc Hex Nut
8	5 X	M8x16x1.6 Stainless Steel Flat Washer
9	4 X	M10x80 Hex Bolt
10	4 X	M10x45 Hex Bolt
11	1 X	Support Bracket
12	1 X	M8 Nyloc Nut
13	1 X	M8 x 20 Hex Bolt

### TOOLS NEEDED

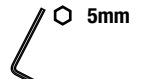
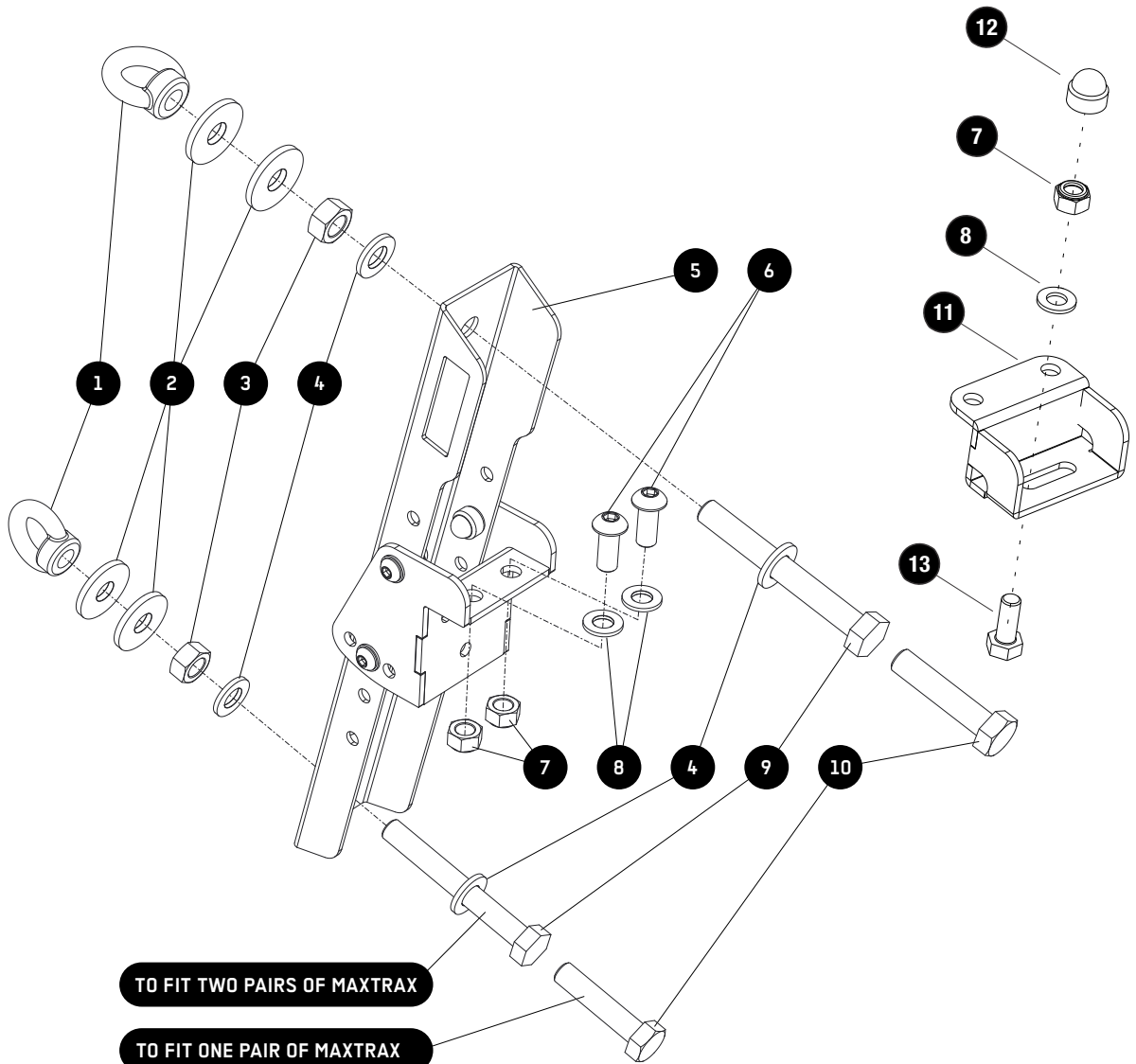
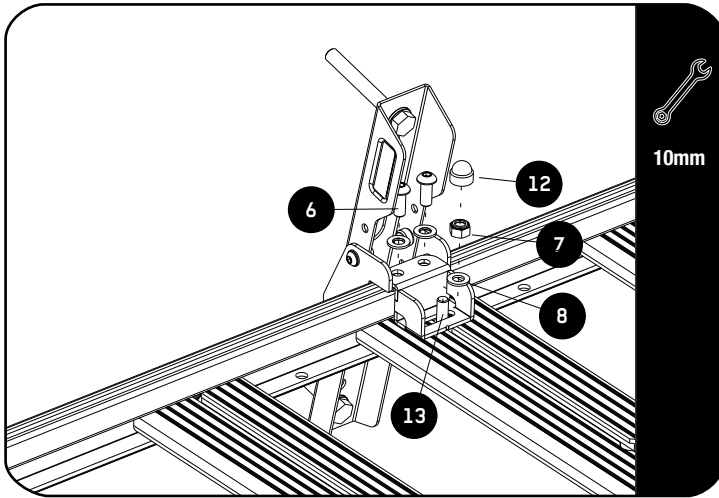


FIGURE 1.1



## 2 FIT AND SECURE

2.1

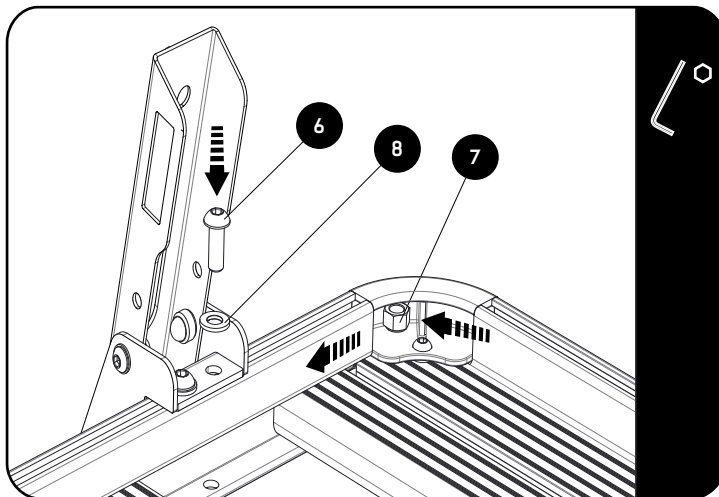


↻ Ensure that one of the MaxTrax Mount Brackets are aligned with a slat.

Slide four M8 Nyloc Nuts (Item 7) in the side profile. See 2.2

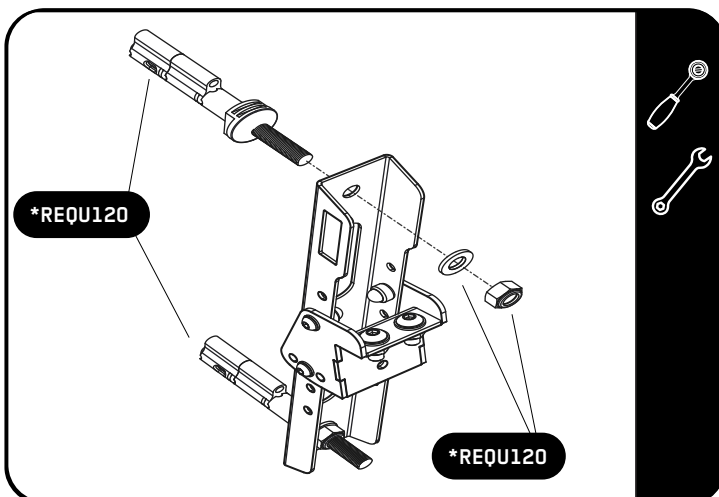
Secure the MaxTrax Mount Bracket to the side profile as shown in 2.1.

2.2



↻ Fit and secure the second MaxTrax as shown.

2.3



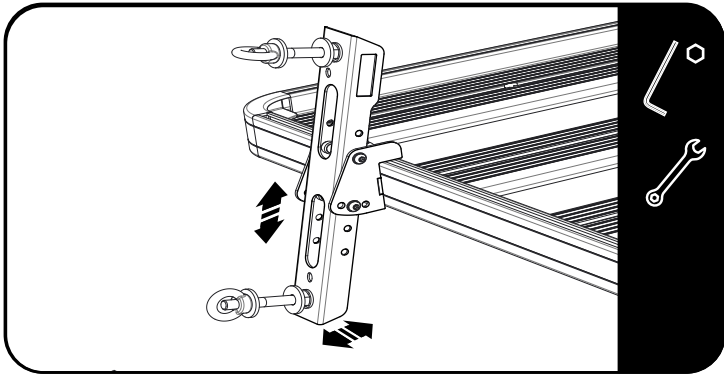
↻ MaxTrax Mounting Pin Set (REQU120) Compatible with Front Runner MaxTrax Brackets.

\*REQU120 Sold Separately.

2

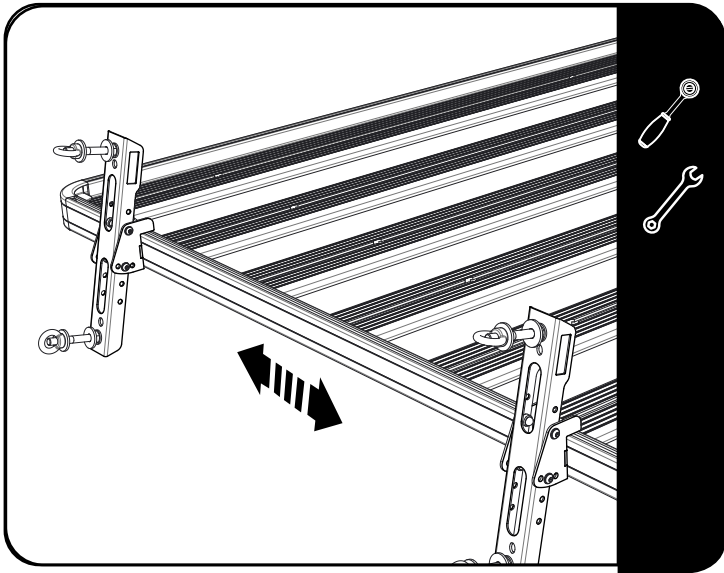
**FIT AND SECURE**

2.1



Check clearance with vehicle body and doors using a MaxTrax Resting on the bracket bolts.

2.2



Set final position with a MaxTrax mounted onto the brackets and fully tighten brackets.